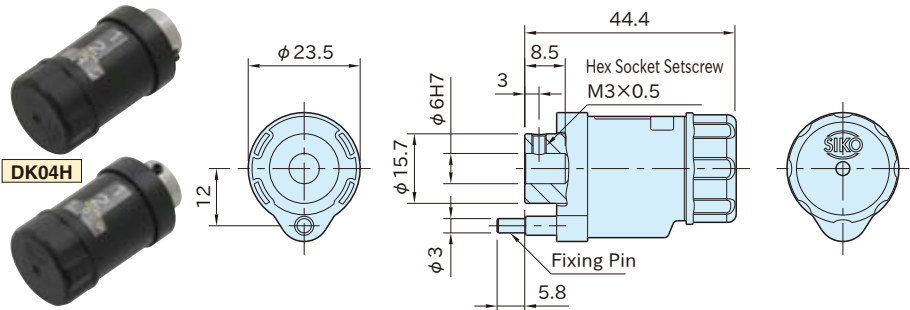


DK04

CONTROL KNOBS



DK04H

DK04GH

DK04V

DK04GV

Housing	Knob	Shaft Sleeve
Plastic Painted Black	ABS resin Black	Stainless steel (SUS303)

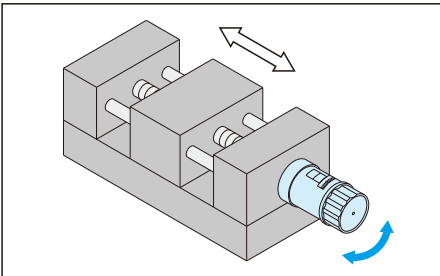
Features:

Control knob with integrated digital position indicator
 Lightweight and compact
 Spindle-hole diameter: 6mm
 Free choice of mounting
 Fine-reading version is also available.

Installation Instructions

- 1 Drill a fixing-pin hole into the mounting wall at a position 12mm below the spindle-hole center.
- 2 Slide the control knob over the spindle and then tighten the setscrew for locking.

Application Example



Technical Information

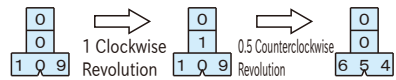
Working temperature: Up to 80°C

Caution:

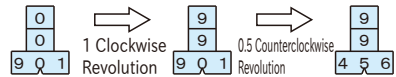
Can not be used on machines where the spindle moves in the axial direction.
 Turning the housing (display) can cause damage.
 Not dust-proof

Display Example

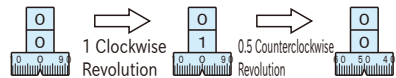
• DK04-R



• DK04-L



• DK04G-R



• DK04G-L

