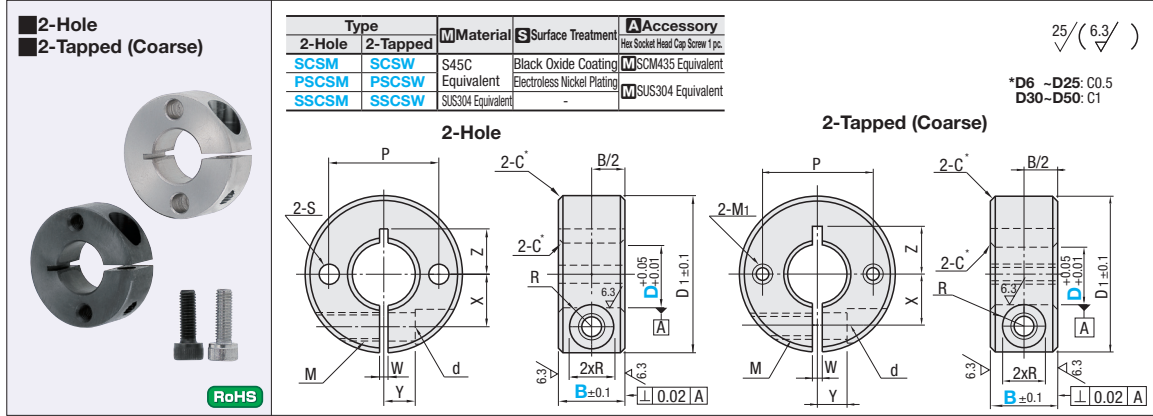


# Shaft Collar Clamp

## 2-Hole / 2-Tapped (Coarse)

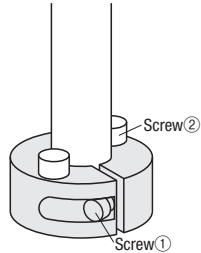


Part Number	B Selection	D1	M (Coarse)	d	R	W	X	Y	Z	P	S	2-Hole Unit Price			2-Tapped Unit Price		
												SCSM	PSCSM	SSCSM	(Coarse)	SCSW	PSCSW
6	* 8	20	M3	3.4	3	1.5	6	4	6~6.5	12	3.5					M3	
	*10		M4	4.5	3.75							13					
	* 8		M3	3.4	3								14				
	*10		M4	4.5	3.75									18			
	*12		M5	5.5	4.5										20		
	*15		M6	6.6	6												24
	* 8	M3	3.4	3	5.5												
	*10	M4	4.5	3.75				6.6									
	*12	M5	5.5	4.5					5.5								
	*15	M6	6.6	6						5.5							
	* 8	M3	3.4	3								6.6					
	*10	M4	4.5	3.75									5.5				
	*12	M5	5.5	4.5	6.6												
	*15	M6	6.6	6			6.6										
	* 8	M3	3.4	3				10									
	*10	M4	4.5	3.75					6.6								
	*12	M5	5.5	4.5						5.5							
	*15	M6	6.6	6							5.5						
* 8	M3	3.4	3	11													
*10	M4	4.5	3.75		5.5												
*12	M5	5.5	4.5			5.5											
*15	M6	6.6	6				5.5										
* 8	M3	3.4	3					11									
*10	M4	4.5	3.75						11.5								
*12	M5	5.5	4.5	12													
*15	M6	6.6	6		13												
* 8	M3	3.4	3			13											
*10	M4	4.5	3.75				14										
*12	M5	5.5	4.5					15									
*15	M6	6.6	6						16								
* 8	M3	3.4	3	17													
*10	M4	4.5	3.75		18												
*12	M5	5.5	4.5			18											
*15	M6	6.6	6				18										
* 8	M3	3.4	3					20									
*10	M4	4.5	3.75						20								
*12	M5	5.5	4.5	20													
*15	M6	6.6	6		20												
* 8	M3	3.4	3			25											
*10	M4	4.5	3.75				25										
*12	M5	5.5	4.5					25									
*15	M6	6.6	6						25								
* 8	M3	3.4	3	30													
*10	M4	4.5	3.75		30												
*12	M5	5.5	4.5			30											
*15	M6	6.6	6				30										
* 8	M3	3.4	3					35									
*10	M4	4.5	3.75						35								
*12	M5	5.5	4.5	35													
*15	M6	6.6	6		35												
* 8	M3	3.4	3			40											
*10	M4	4.5	3.75				40										
*12	M5	5.5	4.5					40									
*15	M6	6.6	6						40								
* 8	M3	3.4	3	45													
*10	M4	4.5	3.75		45												
*12	M5	5.5	4.5			45											
*15	M6	6.6	6				45										
* 8	M3	3.4	3					50									
*10	M4	4.5	3.75						50								
*12	M5	5.5	4.5	50													
*15	M6	6.6	6		50												

Ordering Example **Part Number** - **B**  
SCSM10 - 10

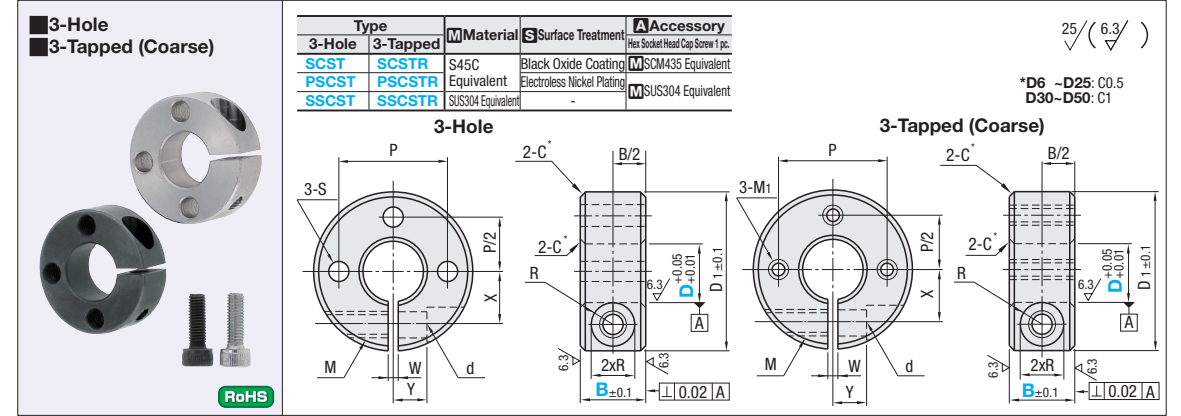
Example

Tips on Assembly  
When using collars as shown in the diagram on the right, clamping the shaft with the screw ① after the collar is fully tightened to the plate with the screws ② is not possible. The type shown on P.285 that can be fully mounted first with the screws ② is recommended.



# Shaft Collar Clamp

## 3-Hole / 3-Tapped (Coarse)



Part Number	B Selection	D1	M (Coarse)	d	R	W	X	Y	Z	P	S	3-Hole Unit Price			3-Tapped Unit Price		
												SCST	PSCST	SSCST	(Coarse)	SCSTR	PSCSTR
6	* 8	20	M3	3.4	3	1.5	6	4	6~6.5	12	3.5					M3	
	*10		M4	4.5	3.75							13					
	* 8		M3	3.4	3								14				
	*10		M4	4.5	3.75									18			
	*12		M5	5.5	4.5										20		
	*15		M6	6.6	6												24
	* 8	M3	3.4	3	5.5												
	*10	M4	4.5	3.75				6.6									
	*12	M5	5.5	4.5					5.5								
	*15	M6	6.6	6						5.5							
	* 8	M3	3.4	3								10					
	*10	M4	4.5	3.75									10				
	*12	M5	5.5	4.5	10												
	*15	M6	6.6	6			10										
	* 8	M3	3.4	3				11									
	*10	M4	4.5	3.75					11								
	*12	M5	5.5	4.5						11							
	*15	M6	6.6	6							11						
	* 8	M3	3.4	3	13												
	*10	M4	4.5	3.75			13										
	*12	M5	5.5	4.5				13									
	*15	M6	6.6	6					13								
	* 8	M3	3.4	3						15							
	*10	M4	4.5	3.75							15						
*12	M5	5.5	4.5	15													
*15	M6	6.6	6		15												
* 8	M3	3.4	3			20											
*10	M4	4.5	3.75				20										
*12	M5	5.5	4.5					20									
*15	M6	6.6	6						20								
* 8	M3	3.4	3	25													
*10	M4	4.5	3.75		25												
*12	M5	5.5	4.5			25											
*15	M6	6.6	6				25										
* 8	M3	3.4	3					30									
*10	M4	4.5	3.75						30								
*12	M5	5.5	4.5	30													
*15	M6	6.6	6		30												
* 8	M3	3.4	3			35											
*10	M4	4.5	3.75				35										
*12	M5	5.5	4.5					35									
*15	M6	6.6	6						35								
* 8	M3	3.4	3	40													
*10	M4	4.5	3.75		40												
*12	M5	5.5	4.5			40											
*15	M6	6.6	6				40										
* 8	M3	3.4	3					45									
*10	M4	4.5	3.75						45								
*12	M5	5.5	4.5	45													
*15	M6	6.6	6		45												
* 8	M3	3.4	3			50											
*10	M4	4.5	3.75				50										
*12	M5	5.5	4.5					50									
*15	M6	6.6	6						50								

(3-Hole)  
SCST  
PSCST  
SSCST

(3-Tapped)  
SCSTR  
PSCSTR  
SSCSTR

• Only \* marked sizes are available for 3-Tapped Type.

- Due to no slitting on the opposite side of the screw, 3-Hole/3-Tapped type has less gripping power compared to 2-Hole/2-Tapped Type.
- Use of MISUMI Shafts (standard g6 and h5) is recommended.
- 2-Hole and 2-Tapped Type or Wedge Type (P.285) are recommended where more shaft gripping power is required.

Ordering Example **Part Number** - **B**  
SCST10 - 10