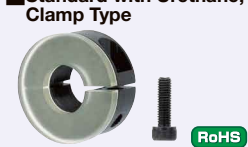



Shaft Collar Standard / Compact with Urethane Clamp / Split

Features: Standard with Urethane: Reduces noises generated by metal-to-metal contact.
Compact with Urethane: Smaller by up to 44% in width (B dimension) and 25% in O.D. (D₁ dimension) than Standard Type with Urethane.

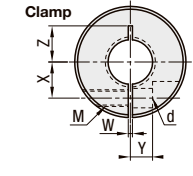
Standard with Urethane, Clamp Type



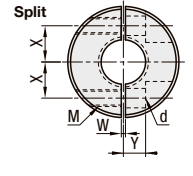
Standard with Urethane, Split Type



| Type | Clamp | Split | Material | Surface Treatment | Accessory |
|------|--------|-----------------|----------------------------|--|---|
| SCD | SCSPD | S45C Equivalent | Black Oxide Coating | Clamp: Hex Socket Head Cap Screw 1 pc. Split: Hex Socket Head Cap Screw 2 pcs. MSCM435 Equivalent | Damper Material: Urethane Hardness: Clamp : Shore A70: No.3 ~ 6 (Ester Type) : Shore A90: No.8 ~ 50 (Ether Type) Split : Shore A70 (Ester Type) (Allowable Temperature: 70°C) Urethane Rubber Features P.2-389 |
| PSCD | PSCSPD | SUS304 | Electroless Nickel Plating | Clamp: Hex Socket Head Cap Screw 1 pc. (SUS) Split: Hex Socket Head Cap Screw 2 pcs. (SUS) MUS304 Equivalent | |



Clamp



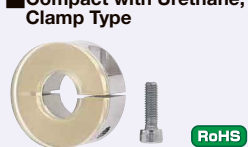
Split

*D3 -D13: C0.5
D15-D50: C1


D dimension tolerance of SCD ranges from +0.01 to +0.08.

| Part Number Type | D | B | D ₁ | B ₁ | t | M (Coarse) | d | R | W | X | Y | Z | Unit Price | | | | | |
|------------------------------|-----|----|----------------|----------------|---|------------|-----|------|-----|-----|----|---------|------------|------|------|-------|--------|--------|
| | | | | | | | | | | | | | SCD | PSCD | SSCD | SCSPD | PSCSPD | SSCSPD |
| (Clamp) SCD PSCD SSCD | *3 | 10 | 15 | 8 | 2 | M3 | 3.4 | 3 | 1.0 | 4.5 | 3 | 3~5 | | | | | | |
| | *4 | 12 | 20 | 10 | 2 | M4 | 4.5 | 3.75 | 1.0 | 6 | 4 | 3.5~6 | | | | | | |
| | *5 | 12 | 20 | 10 | 2 | M4 | 4.5 | 3.75 | 1.0 | 6 | 4 | 6~7 | | | | | | |
| | *6 | 12 | 20 | 10 | 2 | M4 | 4.5 | 3.75 | 1.0 | 6 | 4 | 6~6.5 | | | | | | |
| | *8 | 18 | 30 | 15 | 3 | M6 | 7 | 6 | 1.5 | 9 | 5 | 7~10 | | | | | | |
| | *10 | 18 | 30 | 15 | 3 | M6 | 7 | 6 | 1.5 | 10 | 6 | 8~12.5 | | | | | | |
| | *12 | 18 | 35 | 15 | 3 | M6 | 7 | 6 | 1.5 | 11 | 6 | 9~12.5 | | | | | | |
| | *13 | 18 | 35 | 15 | 3 | M6 | 7 | 6 | 1.5 | 11 | 6 | 10~12.5 | | | | | | |
| | *15 | 18 | 40 | 15 | 3 | M6 | 7 | 6 | 1.5 | 13 | 8 | 11~13 | | | | | | |
| | *16 | 18 | 40 | 15 | 3 | M6 | 7 | 6 | 1.5 | 15 | 8 | 11~13 | | | | | | |
| (Split) PSCSPD PSCSPD SSCSPD | *20 | 20 | 50 | 5 | 5 | M8 | 9 | 7 | 2.0 | 18 | 10 | 13~15 | | | | | | |
| | *25 | 20 | 50 | 5 | 5 | M8 | 9 | 7 | 2.0 | 18 | 10 | 16~18 | | | | | | |
| | *30 | 20 | 55 | 5 | 5 | M8 | 9 | 7 | 2.0 | 20 | 10 | 15~20 | | | | | | |
| | *35 | 20 | 60 | 5 | 5 | M8 | 9 | 7 | 2.0 | 23 | 12 | 17.5~21 | | | | | | |
| | *40 | 23 | 70 | 18 | 5 | M10 | 11 | 9 | 2.0 | 26 | 13 | 20~23 | | | | | | |
| | *50 | 27 | 85 | 22 | 5 | M10 | 11 | 9 | 2.0 | 32 | 16 | 25~28 | | | | | | |

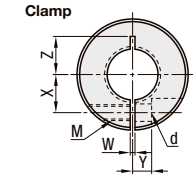
Compact with Urethane, Clamp Type



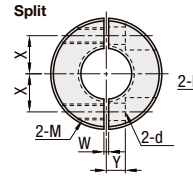
Compact with Urethane, Split Type



| Type | Clamp | Split | Material | Surface Treatment | Accessory |
|-------|---------|-----------------|----------------------------|--|---|
| SCDJ | SCSPDJ | S45C Equivalent | Black Oxide Coating | Clamp: Hex Socket Head Cap Screw 1 pc. Split: Hex Socket Head Cap Screw 2 pcs. MSCM435 Equivalent | Damper Material: Ester Urethane Hardness: Shore A70 (Allowable Temperature: 70°C) Urethane Rubber Features P.2-389 |
| PSCDJ | PSCSPDJ | SUS304 | Electroless Nickel Plating | Clamp: Hex Socket Head Cap Screw 1 pc. (SUS) Split: Hex Socket Head Cap Screw 2 pcs. (SUS) MUS304 Equivalent | |



Clamp

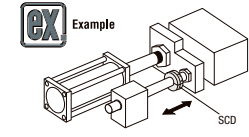


Split

*Refer to Size Comparison Table below.

| Part Number Type | D | B Selection | D ₁ | B ₁ | t | M (Coarse) | d | R | W | X | Y | Z | Unit Price | | | | | |
|--------------------------|-----|-------------|----------------|----------------|---|------------|-----|-----|-----|----|----|-------|------------|-------|-------|--------|---------|---------|
| | | | | | | | | | | | | | SCDJ | PSCDJ | SSCDJ | SCSPDJ | PSCSPDJ | SSCSPDJ |
| (Clamp) SCDJ PSCDJ SSCDJ | 8 | 10 | 25 | 8 | 2 | M3 | 3.4 | 3 | 1.5 | 8 | 5 | 7~9 | | | | | | |
| | 10 | 10 | 30 | 8 | 2 | M3 | 3.4 | 3 | 1.5 | 9 | 5 | 8~10 | | | | | | |
| | 12 | 12 | 35 | 10 | 2 | M3 | 3.4 | 3 | 1.5 | 10 | 6 | 9~10 | | | | | | |
| | 16 | 12 | 35 | 10 | 2 | M3 | 3.4 | 3 | 1.5 | 12 | 6 | 11~12 | | | | | | |
| | 20 | 13 | 40 | 10 | 2 | M3 | 3.4 | 3 | 1.5 | 14 | 7 | 13 | | | | | | |
| | *25 | 15 | 45 | 12 | 3 | M5 | 5.5 | 4.5 | 2.0 | 17 | 7 | 16 | | | | | | |
| | *30 | 15 | 50 | 12 | 3 | M5 | 5.5 | 4.5 | 2.0 | 20 | 7 | 18~20 | | | | | | |
| | *40 | 15 | 60 | 12 | 3 | M5 | 5.5 | 4.5 | 2.0 | 25 | 6 | 23 | | | | | | |
| | *50 | 21 | 80 | 18 | 5 | M8 | 9 | 7 | 2.0 | 32 | 15 | 28 | | | | | | |

Ordering Example
 Part Number - B
 SCDP8 - 10
 SCDJ8 - 10
 SCDPJ10 - 10




Size Comparison Table

| D | Size Differences | | Compact | | Standard | |
|----|------------------|-----------------------|---------------|-----------------------|---------------|-----------------------|
| | B (Thickness) | D ₁ (O.D.) | B (Thickness) | D ₁ (O.D.) | B (Thickness) | D ₁ (O.D.) |
| 8 | -8 | -5 | 10 | 25 | 18 | 30 |
| 10 | -8 | -5 | 10 | 30 | 18 | 35 |
| 12 | -8 | -10 | 10 | 30 | 18 | 40 |
| 16 | -6 | -5 | 12 | 35 | 18 | 40 |
| 20 | -7 | -5 | 13 | 40 | 20 | 45 |
| 25 | -5 | -5 | 15 | 45 | 20 | 50 |
| 30 | -5 | -5 | 15 | 50 | 20 | 55 |
| 40 | -8 | -10 | 15 | 60 | 23 | 70 |
| 50 | -6 | -5 | 21 | 80 | 27 | 85 |

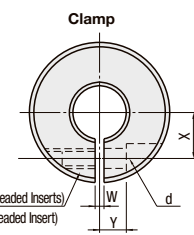
Shaft Collar Threaded Inserts (Lightweight) Plastic / Aluminum

Features: Aluminum or plastic collars are lighter than those of steel or stainless steel.
Collars with threaded inserts have improved screw thread strength.

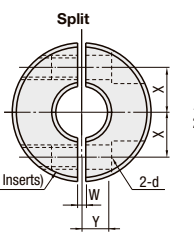
Plastic



| Type | Clamp | Split | Material | Color | Operating Ambient Temperature | Accessory | Threaded Insert Material |
|-------|-------|------------|----------|-------------|---|---|--------------------------|
| SCSPH | SCSPP | Polyacetal | White | -45°C~95°C | Hex Socket Head Cap Screw (SUS304 Equivalent) | Clamp Type: 1 pc. Split Type: 2 pcs. | SUS304 |
| SCSMH | SCSPM | MC Nylon | Ivory | -40°C~120°C | | | Not provided |
| SCSPO | - | Polyacetal | White | -45°C~95°C | | | Not provided |



Clamp



Split

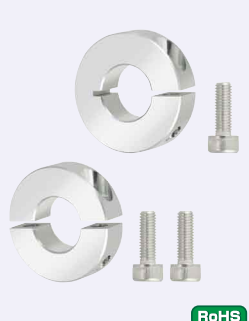
*D8-D25: C0.5
D30: C1

| Part Number Type | D | B | D ₁ | M (Coarse) | d | R | W | X | Y | Unit Price | | | |
|---|----|----|----------------|------------|-----|------|-----|----|----|------------|-------|-------|-------|
| | | | | | | | | | | SCSPH | SCSMH | SCSPP | SCSPM |
| With Threaded Inserts (Clamp) SCSPH SCSMH (Split) SCSPP SCSPM | 8 | 10 | 25 | M3 | 3.4 | 3 | 1.5 | 7 | 5 | | | | |
| | 10 | 10 | 30 | M4 | 4.5 | 3.75 | 1.5 | 9 | 5 | | | | |
| | 12 | 12 | 30 | M4 | 4.5 | 3.75 | 1.5 | 10 | 5 | | | | |
| | 15 | 12 | 35 | M5 | 5.5 | 4.5 | 1.5 | 12 | 6 | | | | |
| | 16 | 12 | 35 | M5 | 5.5 | 4.5 | 1.5 | 12 | 6 | | | | |
| | 20 | 15 | 45 | M6 | 6.6 | 6 | 1.5 | 15 | 8 | | | | |
| | 25 | 15 | 50 | M6 | 6.6 | 6 | 1.5 | 18 | 8 | | | | |
| | 30 | 15 | 55 | M6 | 6.6 | 6 | 1.5 | 20 | 10 | | | | |

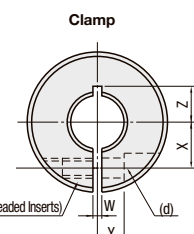
The halves must remain in the same orientation as shipped when in use.

| Part Number Type | D | B | D ₁ | d | M (Coarse) | R | W | X | Y | Unit Price | |
|----------------------------------|----|----|----------------|-----|------------|------|-----|------|---|------------|-------|
| | | | | | | | | | | SCSPO | SCSPO |
| No Threaded Insert (Clamp) SCSPO | 10 | 12 | 28 | 4.5 | M4 | 3.75 | 1.5 | 9 | 5 | | |
| | 12 | 12 | 30 | 4.5 | M4 | 3.75 | 1.5 | 10 | 6 | | |
| | 13 | 12 | 30 | 4.5 | M4 | 3.75 | 1.5 | 10 | 6 | | |
| | 15 | 15 | 40 | 5.5 | M5 | 4.5 | 1.5 | 13 | 8 | | |
| | 16 | 15 | 40 | 5.5 | M5 | 4.5 | 1.5 | 13 | 8 | | |
| | 20 | 15 | 49 | 5.5 | M5 | 5 | 1.5 | 16 | 6 | | |
| | 25 | 15 | 54 | 5.5 | M5 | 5 | 1.5 | 20 | 6 | | |
| | 30 | 15 | 60 | 5.5 | M5 | 5 | 1.5 | 21.5 | 8 | | |

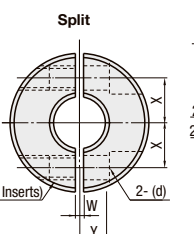
Aluminum Type



| Type | Clamp | Split | Material | Surface Treatment | Accessory | Threaded Insert Material |
|-------|--------|---------------------------|----------|---|---|--------------------------|
| SCSAH | SCNPAH | 2000series Aluminum Alloy | - | Hex Socket Head Cap Screw (SUS304 Equivalent) | Clamp Type: 1 pc. Split Type: 2 pcs. | SUS304 |



Clamp



Split

*D8-D25: C0.5
D30: C1

| Part Number Type | D | B Selection | D ₁ | M (Coarse) | d | R | W | X | Y | Z | Unit Price | |
|--|----|-------------|----------------|------------|-----|------|-----|------|----|----|------------|--------|
| | | | | | | | | | | | SCSAH | SCNPAH |
| With Threaded Inserts (Clamp) SCSAH (Split) SCNPAH | 8 | 10 | 25 | M3 | 3.2 | 3 | 1.5 | 7 | 5 | 7 | | |
| | 10 | 10 | 30 | M4 | 4.2 | 3.75 | 1.5 | 9 | 5 | 8 | | |
| | 12 | 12 | 30 | M4 | 4.2 | 3.75 | 1.5 | 10 | 5 | 9 | | |
| | 15 | 12 | 34 | M5 | 5.3 | 4.5 | 1.5 | 11.5 | 6 | 10 | | |
| | 16 | 12 | 35 | M5 | 5.3 | 4.5 | 1.5 | 12 | 6 | 11 | | |
| | 20 | 15 | 40 | M6 | 6.3 | 6 | 1.5 | 14 | 7 | 13 | | |
| | 25 | 15 | 45 | M6 | 6.3 | 6 | 1.5 | 17 | 7 | 16 | | |
| | 30 | 15 | 55 | M6 | 6.3 | 6 | 1.5 | 20 | 10 | 18 | | |

(d) bore surface will have threads from installing the inserts.

Ordering Example
 Part Number - B
 SCSPH12 - 10
 SCSPP12 - 10
 SCSAH20 - 10