

# Shaft Collar D Cut Standard / Compact (Space-Saving Design) Set Screw / Clamp / Split

**Features:** Mounting holes on a flat side enable easy installation of sensor brackets. A2017 (aluminum) is recommended for weight saving.

## Standard Set Screw



RoHS

## Standard Clamp



RoHS

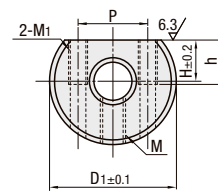
## Standard Split



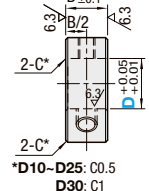
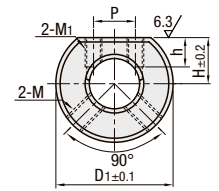
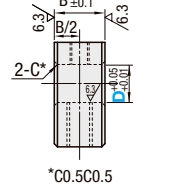
RoHS

Type	Material	Surface Treatment	Accessory
SDSN	S45C	Black Oxide Coating	Hex Socket Head Cap Screw 2 pcs.
PSDSN	Equivalent	Electroless Nickel Plating	SCM435 Equivalent
SSDSN	SUS304 Equivalent	-	SUS304 Equivalent

• D=6, 8



• D=10-30



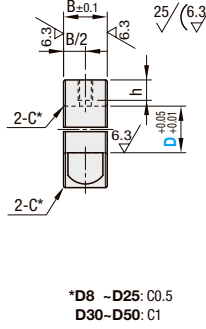
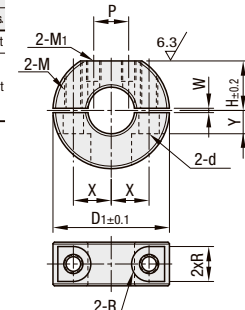
Type	Material	Surface Treatment	Accessory
SDS	S45C	Black Oxide Coating	Hex Socket Head Cap Screw 1 pc.
PSDS	Equivalent	Electroless Nickel Plating	SCM435 Equivalent
SSCDS	SUS304 Equivalent	-	SUS304 Equivalent
SDSA	2000Series Aluminum Alloy	-	-

• S45C Equivalent, SUS304 • A2017

D	Z	D	Z
8	8	10	10
10	10	12	10
12	10	15	12
13	10	16	12
15	12	20	13
		25	16
		30	18

Clamping is applicable to D8-15 only.

Type	Material	Surface Treatment	Accessory
SDN	S45C	Black Oxide Coating	Hex Socket Head Cap Screw 2 pcs.
PSDN	Equivalent	Electroless Nickel Plating	SCM435 Equivalent
SSCDN	SUS304 Equivalent	-	SUS304 Equivalent
SDNA	2000Series Aluminum Alloy	-	-



Part Number Type	D	D1	B	H	M1	P	h	Set Screw M x Length	Unit Price		
									SDSN	PSDSN	SSDSN
(Set Screw) SDSN PSDSN SSDSN	6	20		6.5		11					
	8	22	8	7	M3	13					
	10	25		10		8	7	M4x4			
	12	28		11							
	15	30	10	12.5	M4	10	5	M5x6			
	20	35		15							
25	42	12	18		M5	12	6	M6x6			
30	45		20			5					

\*M1 effective thread depth is 7mm (pilot hole through) for D6-12.

Part Number Type	D	D1	B	M (Coarse)	d	R	H	M1	P	h	W	X	Y	Unit Price				
														SDS	PSDS	SSCDS	SDSA	SDN
(Clamp) SDS PSDS SSCDS SDSA	*8	30					13	M3	8			10						
	*10																	
	*12	35		M5	5.5	4.5	15	M4	10	7		11.5	6					
	*13																	
	*15	40						17		12								
	*16																	
(Split) SDN PSDN SSCDN SDNA	*18	45		M6	7	6	18.5	M5	15	9		15	8					
	*20																	
	*25	50					21		20			18						
	*30	55					23.5		21	10		20	10					
	35	60					26	M6	23			23	12					
	40	70	18	M8	9	7	30		26	12		26	13					
50	85	22	M10	11	9	37	M8	28	13	3.0	32	16						

\*M1 effective thread depth is 7mm (pilot hole through) for D8-15 of SS400 (S45C equivalent). For others, tapped holes are through.

\*M1 effective thread depth is 7mm (pilot hole through) for D8-12 and D15-18 of SUS304. For others, tapped holes are through.

The halves must remain in the same orientation as shipped when in use.

**Features:** Smaller by up to 46% in width (B dim.) and 22% in O.D. (D1 dim.) than D Cut Standard Type (P289)

## Compact Clamp



RoHS

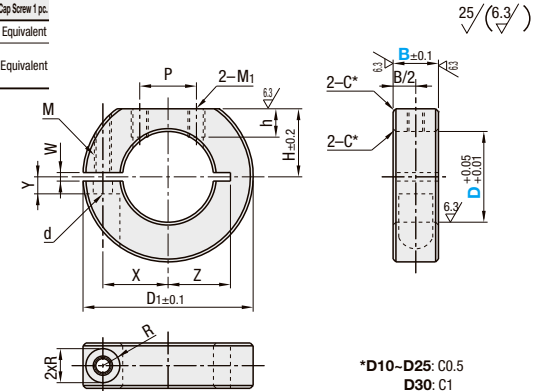
## Compact Split



RoHS

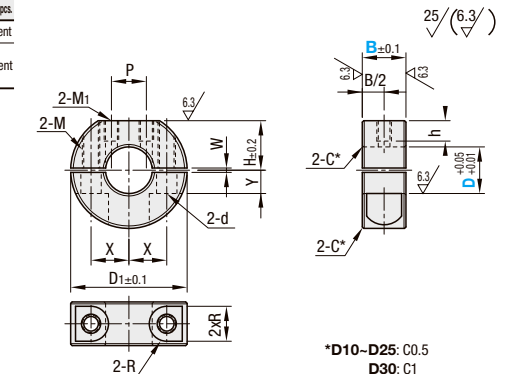
Type	Material	Surface Treatment	Accessory
SDSJ	S45C	Black Oxide Coating	Hex Socket Head Cap Screw 1 pc.
PSDSJ	Equivalent	Electroless Nickel Plating	SCM435 Equivalent
SSCDSJ	SUS304	-	SUS304 Equivalent

Refer to Size Comparison Table below.



Type	Material	Surface Treatment	Accessory
SDNJ	S45C	Black Oxide Coating	Hex Socket Head Cap Screw 2 pcs.
PSDNJ	Equivalent	Electroless Nickel Plating	SCM435 Equivalent
SSCDNJ	SUS304	-	SUS304 Equivalent

Refer to Size Comparison Table below.



Part Number Type	D	B Selection	D1	M (Coarse)	d	R	W	X	Y	Z	M1	H	h	P	Unit Price						
															Clamp Type		Split				
															SDSJ	PSDSJ	SSCDSJ	SDNJ	PSDNJ	SSCDNJ	
(Clamp) SDSJ PSDSJ SSCDSJ	10							9	5	8-10				8							
	12		30	M3	3.4	3		10		9-10		12	5								
	15	8						11	3	11	M3			10							
	16						1.5		11.5				4.8								
(Split) SDNJ PSDNJ SSCDNJ	20		35					13	5	13		15	5								
	25	10	42	M4	4.5	3.75		16.5		16.5	M4	18.5	6	12							
	30	12	50	M5	5.5	4.5		20	6	20		22									

The halves must remain in the same orientation as shipped when in use.

Ordering Example: Part Number - B  
SDNJ10 - 8  
SDSJ16 - 8  
SDS10 - 8



Size Comparison Table

D	Size Differences		Compact		Standard (P251)	
	B (Thickness)	D1 (O.D.)	B (Thickness)	D1 (O.D.)	B (Thickness)	D1 (O.D.)
10	-7	-5	8	30	15	35
12	-7	-5	8	30	15	35
15	-7	-10	8	30	15	40
16	-7	-10	8	30	15	40
20	-7	-10	8	35	15	45
25	-5	-8	10	42	15	50
30	-3	-5	12	50	15	55

