


Shaft Collar Side Mount Hole, Standard Clamp / Split

Shaft Collar Compact Type with Side Mount Holes (For Space Saving Design) Clamp / Split

■Features: Mounting holes on the side enable easy installation of sensor brackets.

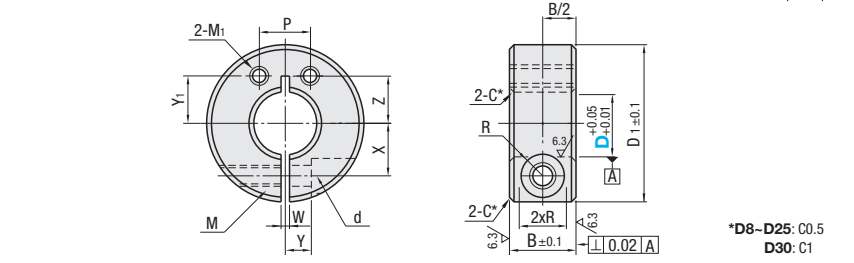
■Features: Smaller by up to 40% in width (B dim.) and 17% in O.D. (D1 dim.) than the Side Mount Hole Standard Type (P291).

Standard Clamp



RoHS


Type	Material	Surface Treatment	Accessory
SCJS	S45C	Black Oxide Coating	Hex Socket Head Cap Screw 1 pc
PSCJS	Equivalent	Electroless Nickel Plating	SCM435 Equivalent
SSCJS	SUS304 Equivalent	-	MUS304 Equivalent



25/(6.3/)

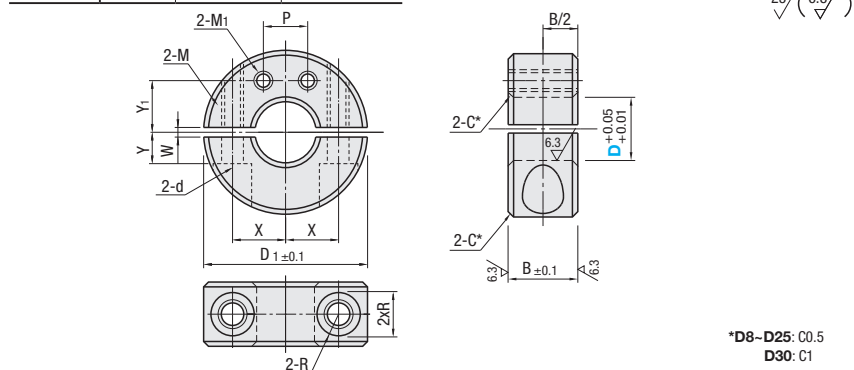
*D8~D25: C0.5
D30: C1

Standard Split



RoHS


Type	Material	Surface Treatment	Accessory
SCJP	S45C	Black Oxide Coating	Hex Socket Head Cap Screw 2 pcs.
PSCJP	Equivalent	Electroless Nickel Plating	SCM435 Equivalent
SSCJP	SUS304 Equivalent	-	MUS304 Equivalent



25/(6.3/)

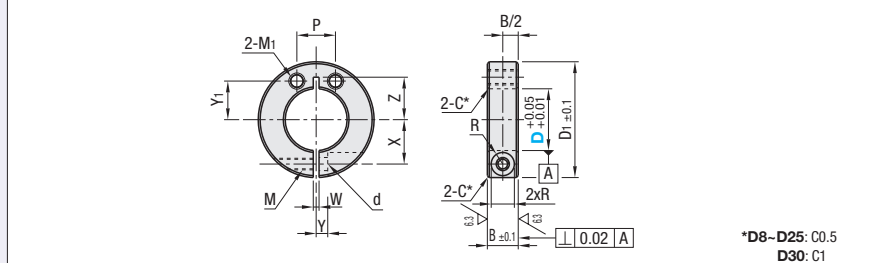
*D8~D25: C0.5
D30: C1

Compact Clamp



RoHS


Type	Material	Surface Treatment	Accessory
SCJSJ	S45C	Black Oxide Coating	Hex Socket Head Cap Screw 1 pc
PSCJSJ	Equivalent	Electroless Nickel Plating	SCM435 Equivalent
SSCJSJ	SUS304 Equivalent	-	MUS304 Equivalent



25/(6.3/)

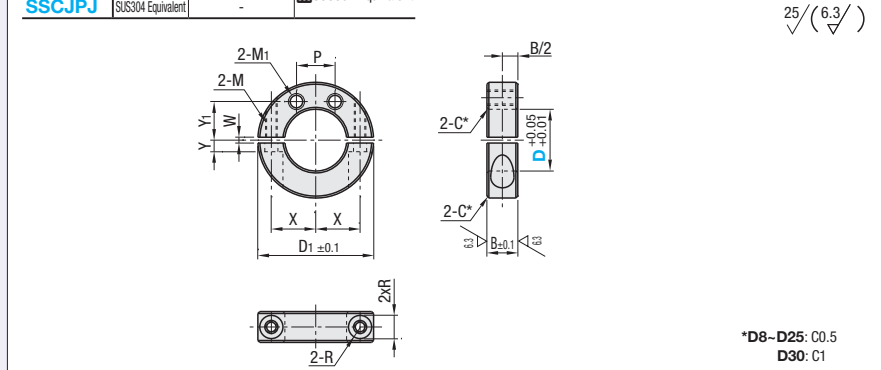
*D8~D25: C0.5
D30: C1

Compact Split



RoHS

Type	Material	Surface Treatment	Accessory
SCJPJ	S45C	Black Oxide Coating	Hex Socket Head Cap Screw 2 pcs.
PSCJPJ	Equivalent	Electroless Nickel Plating	SCM435 Equivalent
SSCJPJ	SUS304 Equivalent	-	MUS304 Equivalent



25/(6.3/)

*D8~D25: C0.5
D30: C1

Part Number	Type	D	B	D1	M (Coarse)	d	R	W	X	Y	Z	M1 (Coarse)	Y1	P	Unit Price							
															Clamp Type	Split						
															SCJS	PSCJS	SSCJS	SCJP	PSCJP	SSCJP		
Clamp Type SCJS PSCJS SSCJS	8	10	25	M4	4.5	3.75	1.5	8	5	7~9	M3	8	8									
	12	30	9					8~10														
	13	30	10					9~10	M4	10	10											
	15	34	11.5					10~12														
	15A	34	11.5					10~12														
	16	34	11.5					10~12														
Split SCJP PSCJP SSCJP	16A	35	M5	5.5	4.5	1.5	12	6	11~12	M5	12	12	12									
	20A	40					14	13	M4	14	14											
	20	40					14	13	M4	14	14											
	25	45					17	16~18	M5	17	16											
	25A	45					17	16~18	M4	17	12											
	30	55					20	18~20	M6	20	20											

Part Number	Type	D	B	D1	M (Coarse)	d	R	W	X	Y	Z	M1 (Coarse)	Y1	P	Unit Price							
															Clamp Type	Split						
															SCJSJ	PSCJSJ	SSCJSJ	SCJPJ	PSCJPJ	SSCJPJ		
Clamp Type SCJSJ PSCJSJ SSCJSJ	8	10	22	M2.6	2.9	2.45	1.5	7	3	7~9	M3	7	7									
	12	25	8					8~10														
	12	25	8					8~10														
	15	30	11					9~10														
	16	30	11					9~10														
	20	35	13					10~12														
Split SCJPJ PSCJPJ SSCJPJ	25	42	16.5	M4	4.5	3.75	1.5	11.5	5	11~12	M4	11.5	11.5									
	20	35	13					10~12														
	25	42	16.5					10~12														
	30	50	20					16~18														

⚠The halves must remain in the same orientation as shipped when in use. ⚠For Split Type in (), P dimension is 14 when D20A is selected.

⚠The halves must remain in the same orientation as shipped when in use.

Ordering Example

Part Number

SCJS10
SCJP12
SSCJP25A

Example

*Refer to Sheet Metal Products (Plate Type on P2-1838).
(Dedicated sensor mounting brackets are not available from MISUMI.)

Ordering Example

Part Number

SCJSJ8
SCJPJ15

Size Comparison Table

D	Size Differences		Compact		Standard (P253)	
	B (Thickness)	D1 (O.D.)	B (Thickness)	D1 (O.D.)	B (Thickness)	D1 (O.D.)
8	-4	-3	6	22	10	25
10	-4	-5	6	25	10	30
12	-4	-5	6	25	10	30
15	-2	-4	8	30	10	34
16	-2	-5	8	30	10	35
20	-2	-5	8	35	10	40
25	-2	-3	10	42	12	45
30	-3	-5	12	50	15	55

