


Shaft Collar Standard Type with Clamp Lever / Compact Type with Clamp Lever Clamp Type / D Cut Type / Side Mount Hole Type


■ **Features:** Easy to change the collar position as this collar does not require any clamping tools.
Lever is selectable from Standard or Miniature Type.

■ **Standard Clamp**




RoHS

■ **Standard D Cut**



RoHS

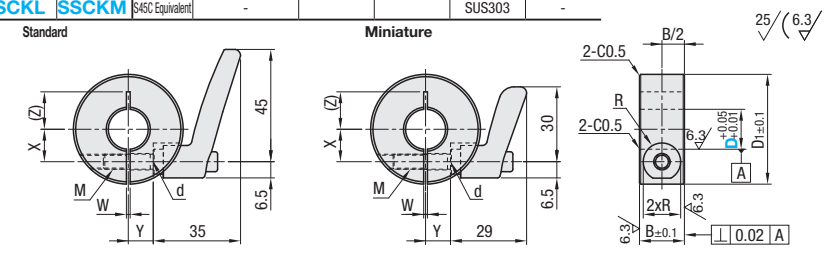
■ **Standard Side Mount Hole**



RoHS

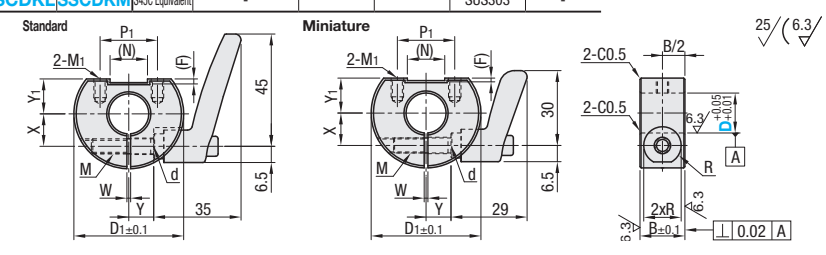
Type		Shaft Collar		Clamp Lever		Lever Threads	
Standard	Miniature	M Material	S Surface Treatment	M Material	S Surface Treatment	M Material	S Surface Treatment
SCKL	SCKM	S45C Equivalent	Black Oxide Coating	Zinc Diecast	Baked Paint	SUM24L	Black Chromate
PSCKL	PSCKM	S45C Equivalent	Electroless Nickel Plating	Zinc Diecast	Baked Paint	SUM24L	Black Chromate
SSCKL	SSCKM	S45C Equivalent	-	Zinc Diecast	Baked Paint	SUS303	-

⚙️ **Clamp Lever Details** P.2-1139
 📐 **Miniature Clamp Lever Details** P.2-1141



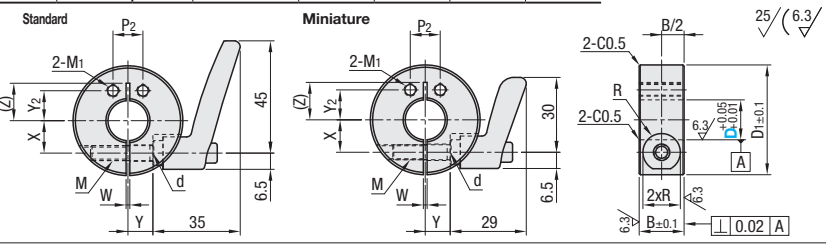
Type		Shaft Collar		Clamp Lever		Lever Threads	
Standard	Miniature	M Material	S Surface Treatment	M Material	S Surface Treatment	M Material	S Surface Treatment
SCDKL	SCDKM	S45C Equivalent	Black Oxide Coating	Zinc Diecast	Baked Paint	SUM24L	Black Chromate
PSCDKL	PSCDKM	S45C Equivalent	Electroless Nickel Plating	Zinc Diecast	Baked Paint	SUM24L	Black Chromate
SSCDKL	SSCDKM	S45C Equivalent	-	Zinc Diecast	Baked Paint	SUS303	-

⚙️ **Clamp Lever Details** P.2-1139
 📐 **Miniature Clamp Lever Details** P.2-1141




Type		Shaft Collar		Clamp Lever		Lever Threads	
Standard	Miniature	M Material	S Surface Treatment	M Material	S Surface Treatment	M Material	S Surface Treatment
SCJKL	SCJKM	S45C Equivalent	Black Oxide Coating	Zinc Diecast	Baked Paint	SUM24L	Black Chromate
PSCJKL	PSCJKM	S45C Equivalent	Electroless Nickel Plating	Zinc Diecast	Baked Paint	SUM24L	Black Chromate
SSCKL	SSCKM	S45C Equivalent	-	Zinc Diecast	Baked Paint	SUS303	-

⚙️ **Clamp Lever Details** P.2-1139
 📐 **Miniature Clamp Lever Details** P.2-1141




■ **Features:** Smaller by up to 33% in width (B dim.) and 22% in O.D. (D1 dim.) than the Standard Type with Clamp Lever (P287).

■ **Compact D Cut**



RoHS

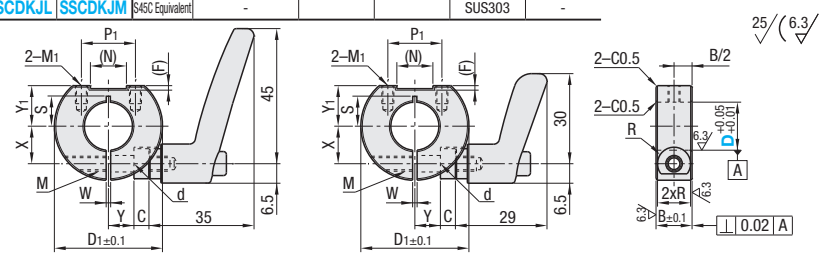
■ **Compact Side Mount Hole**



RoHS

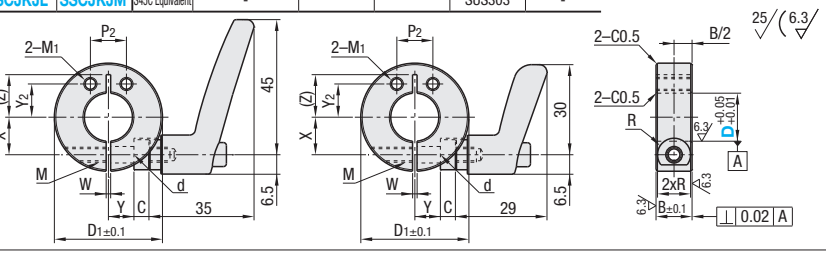
Type		Shaft Collar		Clamp Lever		Lever Threads	
Standard	Miniature	M Material	S Surface Treatment	M Material	S Surface Treatment	M Material	S Surface Treatment
SCDKJL	SCDKJM	S45C Equivalent	Black Oxide Coating	Zinc Diecast	Baked Paint	SUM24L	Black Chromate
PSCDKJL	PSCDKJM	S45C Equivalent	Electroless Nickel Plating	Zinc Diecast	Baked Paint	SUM24L	Black Chromate
SSCDKJL	SSCDKJM	S45C Equivalent	-	Zinc Diecast	Baked Paint	SUS303	-

⚙️ **Clamp Lever Details** P.2-1139
 📐 **Miniature Clamp Lever Details** P.2-1141



Type		Shaft Collar		Clamp Lever		Lever Threads	
Standard	Miniature	M Material	S Surface Treatment	M Material	S Surface Treatment	M Material	S Surface Treatment
SCJKJL	SCJKJM	S45C Equivalent	Black Oxide Coating	Zinc Diecast	Baked Paint	SUM24L	Black Chromate
PSCJKJL	PSCJKJM	S45C Equivalent	Electroless Nickel Plating	Zinc Diecast	Baked Paint	SUM24L	Black Chromate
SSCKJL	SSCKJM	S45C Equivalent	-	Zinc Diecast	Baked Paint	SUS303	-

⚙️ **Clamp Lever Details** P.2-1139
 📐 **Miniature Clamp Lever Details** P.2-1141



D	B	D1	M	M1	d	P1	P2	(F)	(N)	Y1	Y2	R	W	X	Y	(Z)	C	S
8	12	28	5	M4 Depth 6	5.5	18	10	0.5	12	7	10	5.5	1.5	9.5	5.5	11.5	5	5
10		20				14	8.5		10.5	12	13.5							
12		22				16	11		12	14.5	15							
15		25				18	14		14	17	17							
16		29				22	16.5		16	19	19							
20		30				25	20		20	22.5	22							
25		30				30	25		25	25	25							

⚠️ Do not tighten the lever without inserting the shaft. The shaft collar may be deformed and become unusable.
 ⚠️ Levers in () are applicable to SSCDK□ and SSCJK□ (stainless steel products).
 ⚠️ D₁ Tolerance for D25 and 30 is ±0.3. ⚠️ C (O.D./I.D. chamfers) will be 1.0 for D30.

D	B	D1	M (Coarse)	M1	d	P1	P2	(F)	(N)	Y1	Y2	R	W	X	Y	(Z)	Lever					
6	18	35	M6	M3	6.6	15	8	1.5	10	7	8	7.5	1.5	10	7	13-15	CLDM□6-16-M/B/S (CLMS□6-16-M/B/S)					
8																	9	9.5	10	CLDM□6-16-M/B/S (CLMS□6-16-M/B/S)		
10																	11	11	10	CLDM□6-16-M/B/S (CLMS□6-16-M/B/S)		
12																	13	13	11	CLDM□6-16-M/B/S (CLMS□6-16-M/B/S)		
15																	14	14	12	CLDM□6-20-M/B/S (CLMS□6-20-M/B/S)		
16																	15	15	14	CLDM□6-20-M/B/S (CLMS□6-20-M/B/S)		
20																	18	18	16	CLDM□6-20-M/B/S (CLMS□6-20-M/B/S)		
25	26	26	14	CLDM□6-25-M/B/S (CLMS□6-25-M/B/S)																		
30	30	30	16	CLDM□6-32-M/B/S (CLMS□6-32-M/B/S)																		
30	35	35	20	CLDM□6-32-M/B/S (CLMS□6-32-M/B/S)																		

⚠️ Do not tighten the lever without inserting the shaft. The shaft collar may be deformed and become unusable.
 ⚠️ Levers in () are applicable to SSCDK□, SSCDK□ and SSCJK□ (stainless steel products).
 ⚠️ D₁ Tolerance for D25 and 30 is ±0.3. ⚠️ C (O.D./I.D. chamfers) will be 1.0 for D30.

Part Number		Lever Color	Standard, Clamp Lever Type: Unit Price						Miniature, Clamp Lever Type: Unit Price									
Type	D		Clamp	D Cut	Side Mount Hole	Clamp	D Cut	Side Mount Hole										
(Clamp)	(D Cut)	(Side Mount Holes)	SCKL	SCDKL	SCJKL	PSCDKL	PSCDKL	PSCDKL	SSCKL	SSCKL	SSCKL	SSCKL	SSCKL	SSCKL	SSCKL	SSCKL	SSCKL	SSCKL
Standard Lever	Standard Lever	Standard Lever	8	10	12	15	16	20	25	30	30	30	30	30	30	30	30	30
Miniature Lever	Miniature Lever	Miniature Lever	8	10	12	15	16	20	25	30	30	30	30	30	30	30	30	30

Part Number	Lever Color	Unit Price						Lever
		D Cut Compact			Side Mount Hole			
Type	D	SCDKJL	PSCDKJL	SSCDKJL	SCJKJL	PSCJKJL	SSCKJL	
Standard Lever (D Cut)	8							CLDM□(CLMS□)5-20-M/B/S
(Side Mount Holes)	10							
Standard Lever	12							
Standard Lever	15							
Miniature Lever	16							CLDM□(CLMS□)5-25-M/B/S
Miniature Lever	20							
Miniature Lever	25							
Miniature Lever	30							CLDM□(CLMS□)5-32-M/B/S

📞 **Ordering Example**
 Part Number - Lever Color
 SCKL12 - B
 SCDKJM16 - M
 SCDKM10 - S

