

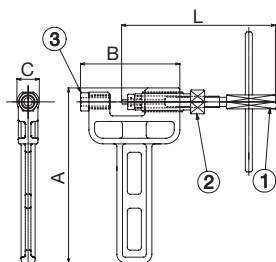
# Chain Cutters



## Order No. Example

### CK5

Chain Cutter No.



Roller chain pins can be removed quickly and easily.

Clamp the chain as you see in the picture, setting it in place with the holder.

Then simply turn the cutter screw to rapidly remove the pin without damaging the chain. 13 types of chain cutters are available depending on the chain.

## ◇ Chain Cutters (CK2 to CK6, CK3W to CK5W)

Chain Cutter No.	Chain in Use				A	B	C	¥
	JIS		Non-JIS Indicator					
CK2	25		219 270 05B		97	51	18	
CK3	35		410 415 06B		97	51	18	
CK4	40 41	C2040 C2042	420 425 428 08B		125	73	20	
CK5	50	C2050 C2052	520 525 528 530		125	73	20	
CK6	60	C2060H C2062H	630 640 12B		139	100	24	
CK3W	2-Row 35		CZ3 CY3		125	73	20	
CK4W	2-Row 40	C2040 C2042	CZ4 CY4		139	100	24	
CK5W	2-Row 50	C2050 C2052	CZ5 CY5		139	100	24	

## Chain Cutter Components

### ◇ Cutter Pin (1)

Cutter Pin No.	L	Hex. Size	¥
CKP2	81	8	
CKP3	86	8	
CKP4	109	10	
CKP5	109	10	
CKP6	138	12	
CKP3W	116	10	
CKP4W	141	12	
CKP5W	154	12	

### ◇ Cutter Pin Holder (2)

Cutter Pin Holder No.	Hex. Size	¥
CKPH2	14	
CKPH3	14	
CKPH4	17	
CKPH5	17	
CKPH6	21	
CKPH3W	17	
CKPH4W	21	
CKPH5W	21	

### ◇ Cutter Holder (3)

Cutter Holder No.	Hex. Size	¥
CKUH2	12	
CKUH3	12	
CKUH4	13	
CKUH5	13	
CKUH6	17	
CKUH3W	13	
CKUH4W	17	
CKUH5W	17	



Chain Cutter No. and Quantity



Same-day shipping



\* A user manual is available to ensure accurate roller chain cutting and allow the product to be used over a longer lifetime. See our homepage for further details.



Black Oxide Finish



• When cutter pin (1) is tightened as far as possible the lock is triggered and it will be difficult to return. Stop once the chain pin has just penetrated through.



S20C Equivalent



You can see the product on video.




For units larger than CK8-type (#80 chain) or CK6W-type (2-row #60 chain) the body should first be fixed into a vise etc. before continuing. Furthermore, these types have no handle for turning the cutter pin, so a spanner or wrench to suit the model number should be used.



◇ Chain Cutters (CK8 to CK14, CK6W to CK8W)

Chain Cutter No.	Chain in Use			A	B	C	¥
	JIS	Non-JIS Indicator					
CK8	80	C2080H	C2082H	98	121	36	
CK10	100	C2100H		98	121	36	
CK14	120	140		103	154	36	
CK6W	2-Row 60		CZ6 CY6	98	121	36	
CK8W	2-Row 80			103	154	36	

 \* Chain cutter sets are available on P100 and P101 for cutting chains with different chain numbers.  
 Use Examples

Chain Cutter Components

◇ Cutter Pin (1)

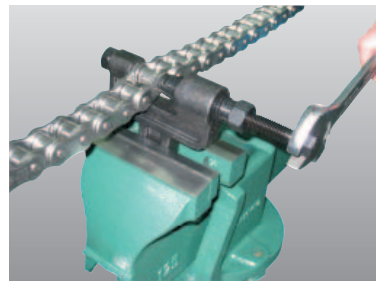
Cutter Pin No.	L	Hex. Size	¥
CKP8	143	17	
CKP10	152	17	
CKP14	165	17	
CKP6W	160	17	
CKP8W	174	17	

◇ Cutter Pin Holder (2)

Cutter Pin Holder No.	Hex. Size	¥
CKPH8	24	
CKPH10	24	
CKPH14	27	
CKPH6W	24	
CKPH8W	27	

◇ Cutter Holder (3)

Cutter Holder No.	Hex. Size	¥
CKUH8	21	
CKUH10	21	
CKUH14	27	
CKUH6W	21	
CKUH8W	27	



\* A handle for the cutter pin is not included, so please use a suitable spanner or wrench that matches the size. Use after fixing the unit within a vise etc.

\* Precautions Regarding Model Numbers

- For CK8-types or larger, first shave off the head of the chain pin with a grinder etc. before continuing.
- For units larger than CK8-type or CK6W-type, the body should first be fixed into a vise etc. (not included) before continuing. Furthermore, these types have no handle for turning the cutter pin, so a spanner or wrench to suit the model number should be used.
- When cut the chain pin will remain in the chain plate and will not fall.

# Straight Punch Chain Cutter

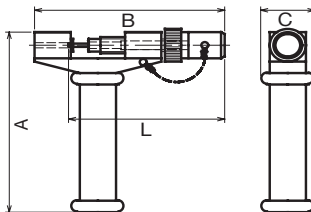
● Order No. Example

**ST25**

Straight Punch Chain Cutter No.

**ST25PIN**

Straight Punch Chain Cutter Pin No.



Fix the roller chain as shown in the figure and hit the pin removal head with a hammer to remove the chain pin.

◇ Straight Punch Chain Cutter

Chain Cutter No.	Chain in Use	A	B	C	¥	Pin No.	L	¥
ST 25	25	180	130	40		ST 25 PIN	115	
ST 35-40	35 - 40	180	130	40		ST 35-40 PIN	121	
ST 50	50	180	150	39		ST 50 PIN	131	
ST 60	60	180	150	40		ST 60 PIN	134	
ST 80	80	190	200	40		ST 80 PIN	175	
ST 100	100	190	200	40		ST 100 PIN	182	



Order Method

Straight Punch Chain Cutter No.

Straight Punch Chain Cutter Pin No.

and Quantity



Postage

Same-day shipping



Video Guide

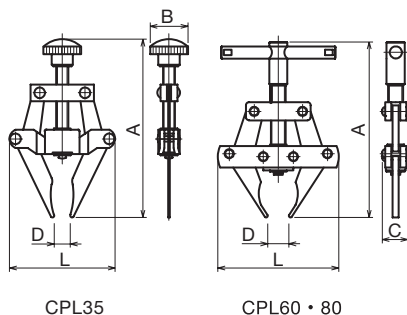
You can see the product on video.



# Chain Pullers/Chain Detachers

## ● Order No. Example **CPL35**

Chain Puller No.



CPL35

CPL60 · 80

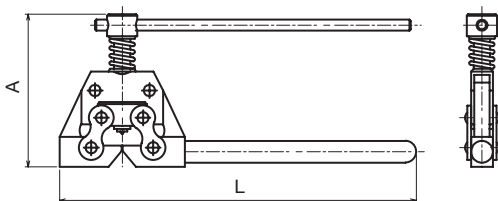
Used when connecting a chain as shown in the figure. Designed to be used quickly and easily.

### ◇ Chain Pullers

Chain Puller No.	Chain in Use	A MAX	B	C	D	L	¥
CPL 35	35 - 60	118	25	-	7 - 45	70	
CPL 60	60 - 100	185	-	25	10 - 57	110	
CPL 80	80 - 240	250	-	25	23 - 135	145	

## ● Order No. Example **DT60**

Chain Detacher No.



Makes cutting the chain easy by detaching the roller chain plate and pin.

### ◇ Chain Detachers

Chain Detacher No.	Chain in Use	A	L	¥
DT 60	35 - 60	80	185	
DT 100	60 - 100	110	300	



Order Method

Chain Puller No.

Chain Detacher No.

and Quantity



Postage

Same-day shipping



Video Guide

You can see the product on video.



Chain Pullers



Chain Detachers