

ME-A/MES-A

Signal Tower



LED



IP42

Ø25

NPN
Open-collector

Cable



Super-slim 25mm Signal Tower with aluminum body, ideal for small devices.

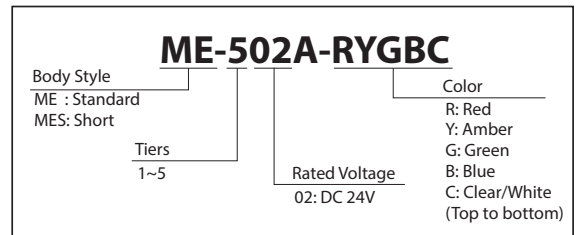
FEATURES

- PATLITE's exclusive hybrid prism-cut lens designed for enhanced visibility from any direction and distance.
- Lens is made of superior impact and heat resistant polycarbonate resin for superior durability and light transmission.
- Available Colors are in Red, Amber, Green, Blue, and Clear/White.
- Specially enhanced high intensity illumination design.
- Direct mount installation with just a single hole.
- Interchangeable Modules need no re-wiring, even after installation.
- Main body is constructed of corrosion resistant anodized aluminum to retain its external beauty.
- Body Length for MES-A is 40mm, and for the ME-A is 200mm.
- Conforms to the CE requirements.
- UL recognized components (File No. E215660)

AVAILABLE BY SPECIAL ORDER

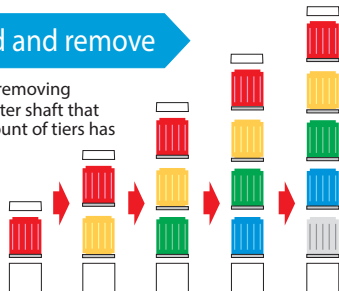
- Cable: Versatile and flexible 3m cable.
- IP54 (for ME/MES).
- PNP Compatible: ME and MES 24V Types.

How to Order



Easy to add and remove

- When adding or removing modules, the center shaft that matches the amount of tiers has to be purchased.



Interchangeable LED Modules

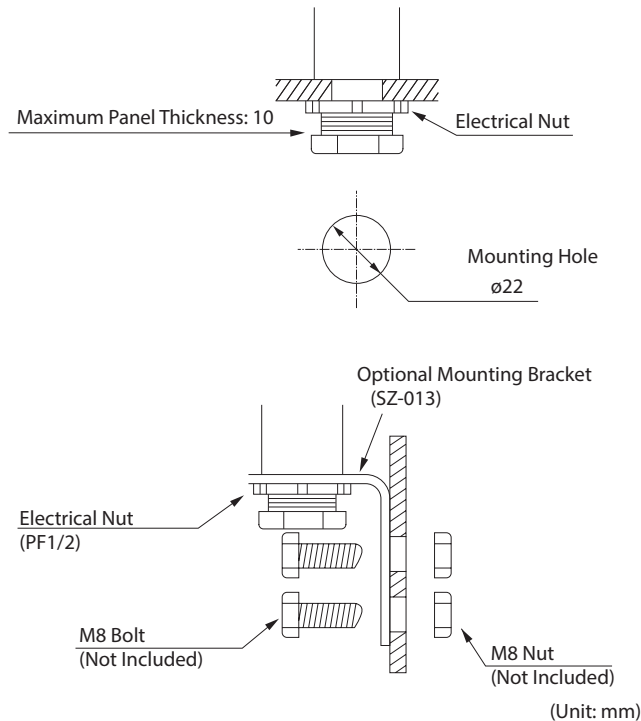
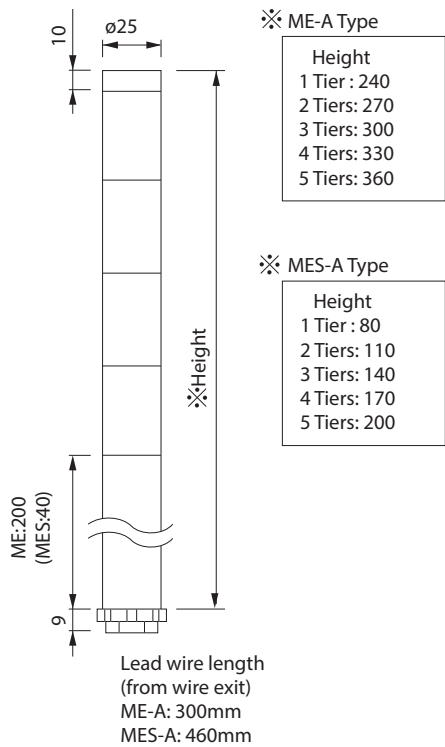
- Changeable color sequence: Easy to add/remove up to 5 colored modules even after installation.
- Note: LED modules of the same color within a signal tower will light up simultaneously.



Wiring doesn't change

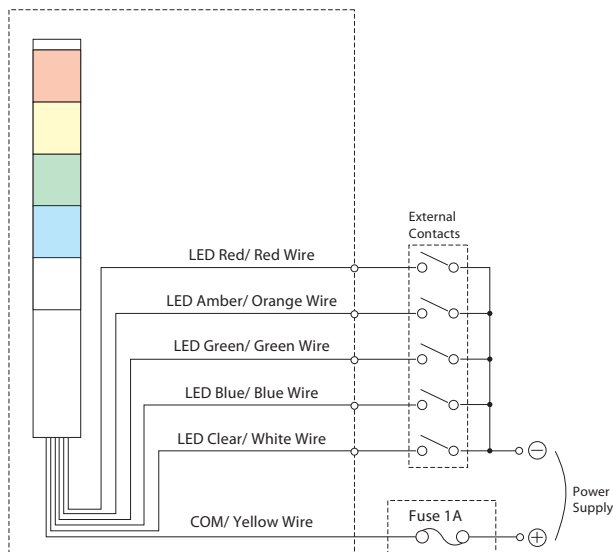
- The LED Module colors correspond to the wiring, so re-wiring is not necessary.

Dimensions

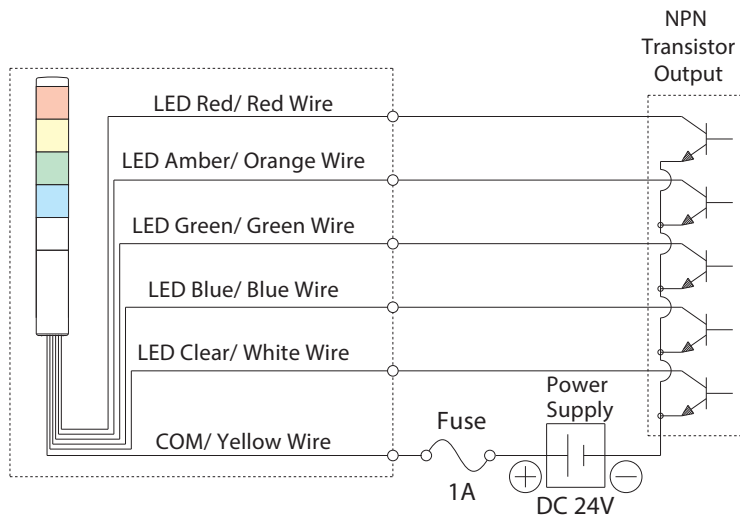


Wiring

- ME-A/MES-A Contact/ Switch



- ME-A/MES-A NPN Open Collector



Specifications

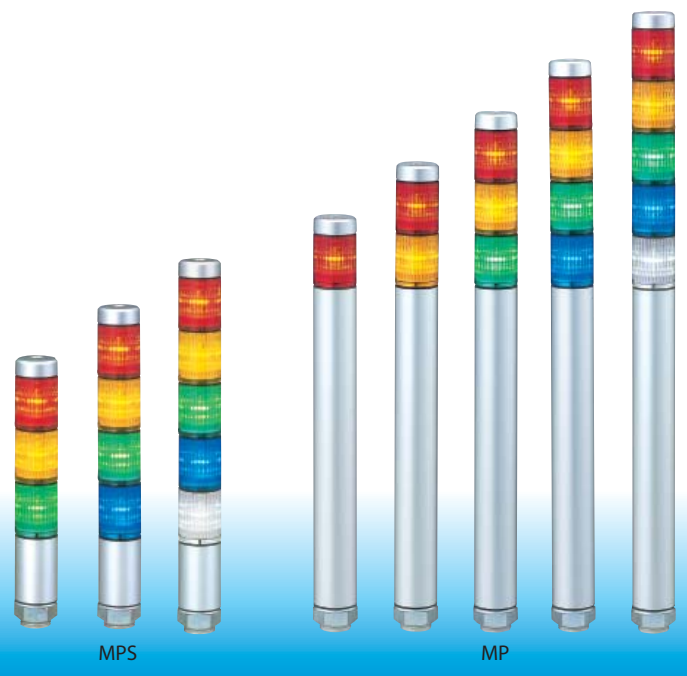
Stack Number	Model	Rated Voltage	Power Consumption	Mass	
				ME	MES
1 Tier	ME/MES-102A-R	DC 24V	0.6W	220g	120g
	ME/MES-102A-Y		0.6W		
	ME/MES-102A-G		0.5W		
	ME/MES-102A-B		0.5W		
	ME/MES-102A-C		0.5W		
2 Tiers	ME/MES-202A-RY		1.2W	230g	130g
	ME/MES-202A-RG		1.1W		
	ME/MES-202A-RB		1.1W		
	ME/MES-202A-RC		1.1W		
3 Tiers	ME/MES-302A-RYG		1.7W	240g	140g
	ME/MES-302A-RYB	1.7W			
	ME/MES-302A-RYC	1.7W			
4 Tiers	ME/MES-402A-RYGB	2.3W	250g	150g	
	ME/MES-402A-RYGC	2.3W			
5 Tiers	ME/MES-502A-RYGB	2.8W	260g	160g	

MP/MPS

Signal Tower



- LED
- IP65
- Ø30
- Cable
- NPN/PNP Open-collector



Super slim 30mm silver body Signal Tower, ideal for small devices.

Patented reflection system increases visibility.



FEATURES

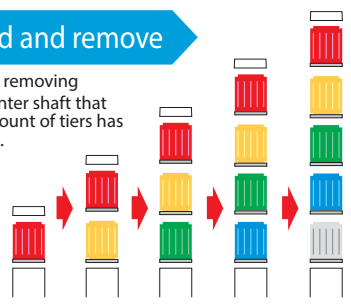
- PATLITE's exclusive hybrid prism-cut lens designed for enhanced visibility from any direction and distance.
 - Double-insulated construction for enhanced durability and safety in the work environment.
 - Direct mount installation with just a single hole.
 - Interchangeable Modules need no re-wiring, even after installation.
 - Main body is constructed of superior impact and heat resistant ABS resin.
 - Lens is made of superior weather resistant and light translucent AS resin.
 - Available Colors are in Red, Amber, Green, Blue, and Clear/White.
 - Conforms to the CE requirements.
 - UL Recognized Components (File No. E215660)
- AVAILABLE BY SPECIAL ORDER
- All Clear Lenses: Distinctive color recognition when operated with clear lenses (B0738 type).
 - Cable: Versatile and flexible 3m cable.



Optional MP-B Buzzer (See pg. 199)

Easy to add and remove

- When adding or removing modules, the center shaft that matches the amount of tiers has to be purchased.



Interchangeable LED Modules

Changeable color sequence: Easy to add/remove up to 5 colored modules even after installation.
 Note: LED modules of the same color within a signal tower will light up simultaneously.



Wiring doesn't change

- The LED Module colors correspond to the wiring, so re-wiring is not necessary.

How to Order

MP-502-RYGBC

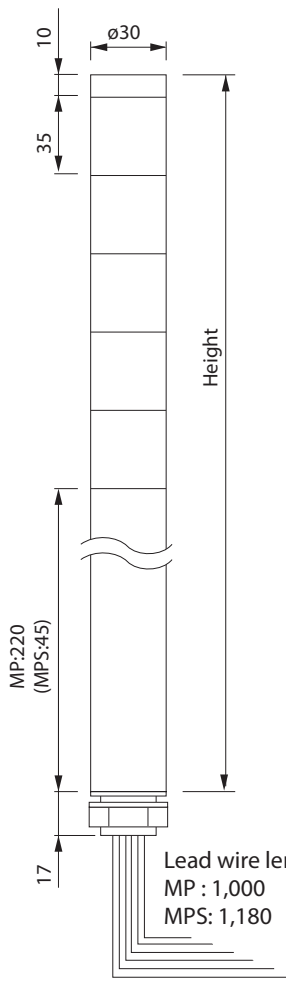
Model	MP : Standard Body MPS: Short Body	Color	R: Red Y: Amber G: Green B: Blue C: Clear/White (Top to bottom)
Tiers	1~5		
Rated Voltage	02: AC/DC 24V		

Clear Lens Type: Model No. with B0738

Specifications

Stack Number	Model	Rated Voltage	Power Consumption	Mass	
				MP	MPS
1 Tier	MP/MPS-102	AC/DC 24V	0.7W	210g	110g
2 Tiers	MP/MPS-202		1.4W	230g	130g
3 Tiers	MP/MPS-302		2.0W	250g	150g
4 Tiers	MP/MPS-402		2.6W	270g	170g
5 Tiers	MP/MPS-502		3.2W	290g	190g

Dimensions

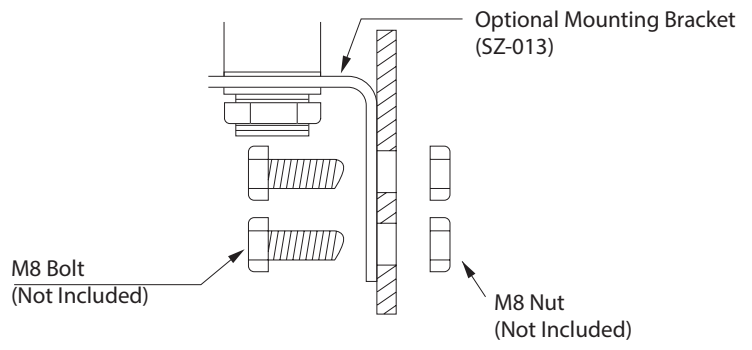
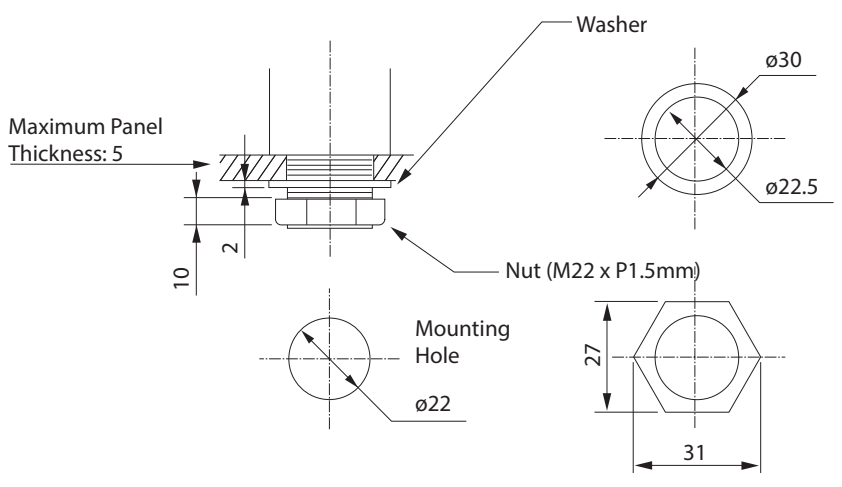


MP Type

Height
1 Tier : 265
2 Tiers: 300
3 Tiers: 335
4 Tiers: 370
5 Tiers: 405

MPS Type

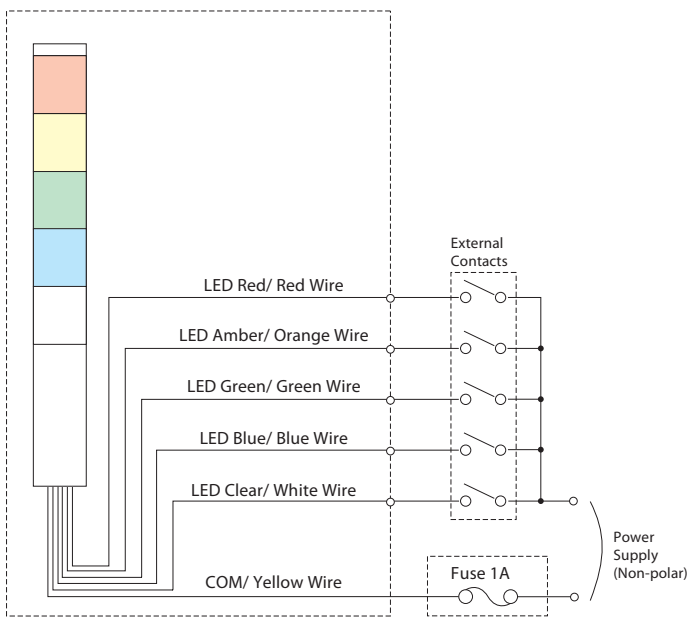
Height
1 Tier : 90
2 Tiers: 125
3 Tiers: 160
4 Tiers: 195
5 Tiers: 230



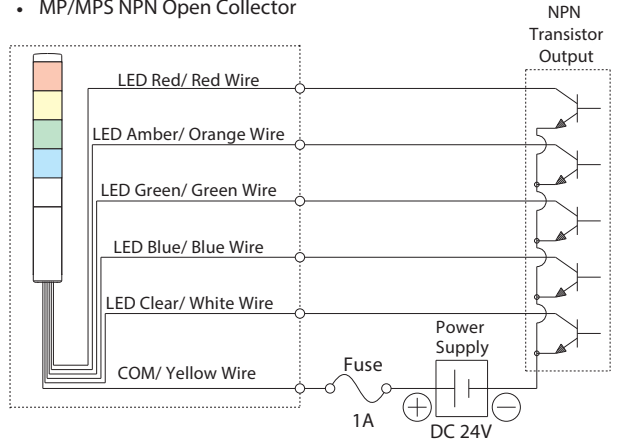
(Unit: mm)

Wiring

- MP/MPS Contact/ Switch



- MP/MPS NPN Open Collector



- MP/MPS PNP Open Collector

