

Bosch Rexroth EFC3610 Frequency Inverter

Easy Start Guide



The Bosch Rexroth EFC3610 Frequency Inverter range is available to order from inverterdrive.com

This guide is intended to complement the user manual provided by the manufacturer. It is provided as a basic introduction to the product for Inverter Drive Supermarket customers. It should not be used as a replacement for the manual issued by the manufacturer.



This product is not a safety device. All safety considerations including but not limited to Emergency Stop provision should be assessed separately and are outside the scope of this guide.

Contents

Page 1	Contents
Page 2	Power and Motor Connections (Single Phase)
Page 3	Power and Motor Connections (Three Phase)
Page 4	Motor Connections - Star and Delta
Page 5	Parameters - Overview Parameters to set before use
Page 6	How to set a Parameter value
Page 7	How to Operate the Inverter from the keypad
Page 8	How to connect and configure a Potentiometer for remote speed control
Page 9	How to connect and configure a Run Forward or Run Reverse switch
Page 10	How to connect and configure a Run/Stop switch with Forward/Reverse selection
Page 11	How to configure “3-Wire” control with Run/Stop pushbuttons and Forward/Reverse selection
Page 12	Brake Resistor Connection
Page 13	How to Reset the Inverter to Factory Defaults

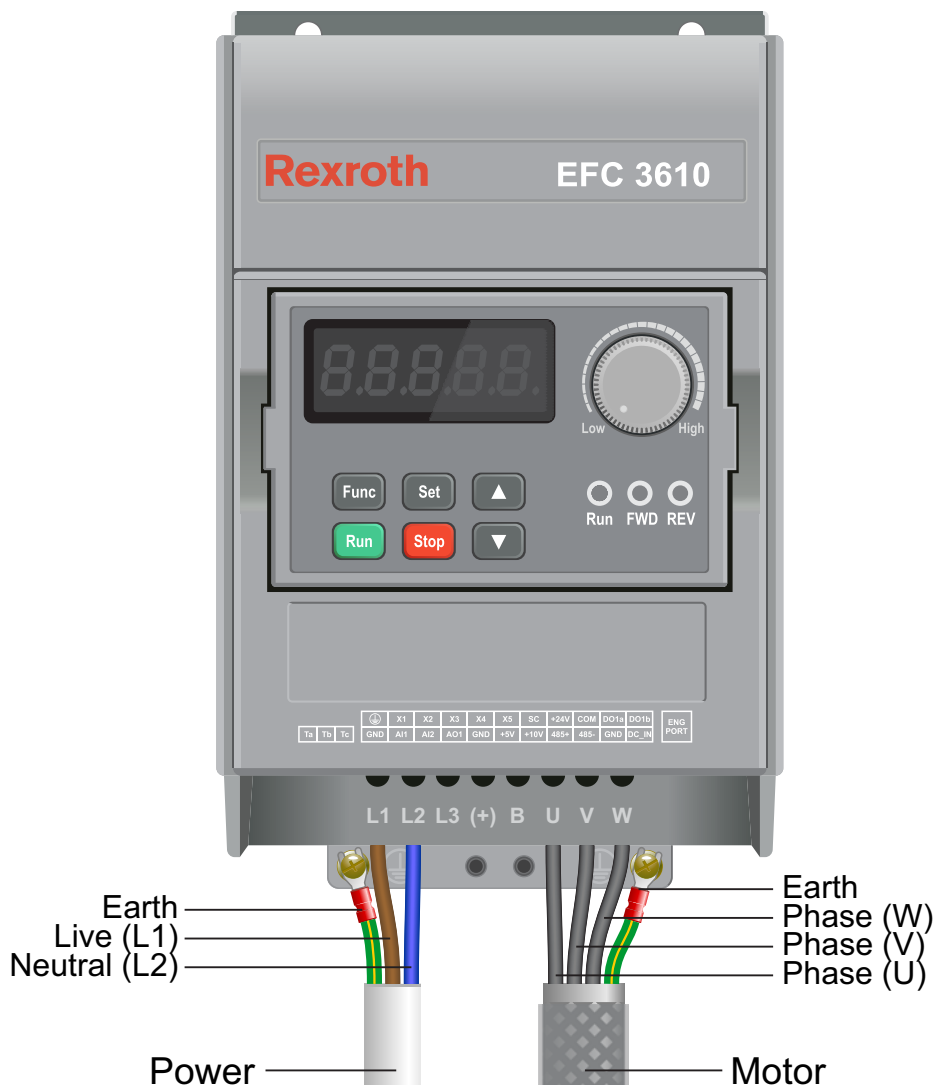
Easy Start Guide

Bosch Rexroth EFC 3610 Series Inverter

1. Power and Motor Connections (Single Phase)



Before commencing, confirm that the Inverter and all cables are completely isolated from the power supply, have been isolated for at least 5 minutes and that the motor is not turning.



Notes:

The illustration above is based on the 0.75kW 230V model. The terminal layout for other ratings is similar.

The order of the three motor phases determines the initial direction the motor turns.

Important:

Use screened or armoured cable between the Inverter and Motor and ensure it is grounded as shown.

The motor must be separately earthed.

The supply must match the Inverter specification.

Easy Start Guide

Bosch Rexroth EFC 3610 Series Inverter

2. Power and Motor Connections (Three Phase)



Before commencing, confirm that the Inverter and all cables are completely isolated from the power supply, have been isolated for at least 5 minutes and that the motor is not turning.

Notes:

The illustration on the left is based on the 4kW 400V model. The terminal layout for other ratings is similar.

The order of the three supply phases is not important.

The order of the three motor phases determines the initial direction the motor turns. This can be reversed by physically swapping any two motor phases. Or by changing the Inverter parameters.

Use screened or armoured cable between the Inverter and Motor. To minimise electromagnetic interference, ensure the cable screen is grounded as shown.

The motor must be separately earthed.

The supply must match the Inverter specification.

3. Motor Connections - Star and Delta

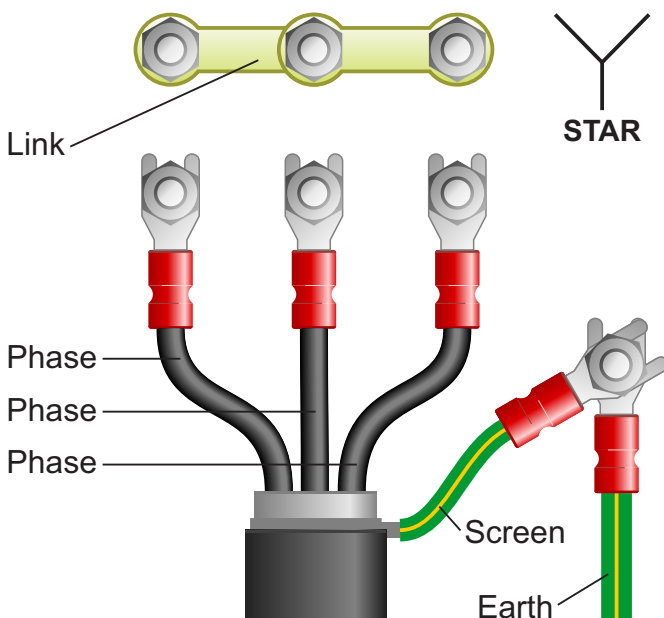
Dual voltage induction motors typically include terminal boxes with six points. The points can be connected together with links in one of two ways to suit one of the two rated voltages.

The two ways of connecting the links are shown below. These are known as “Star” (the higher voltage) or “Delta” (the lower voltage).

The selection of Star or Delta is not optional and must match the supply voltage.

Dual voltage motor nameplates include symbols to represent voltage and full load current in each configuration.

Delta is represented by a triangle and star by a Y (Wye).



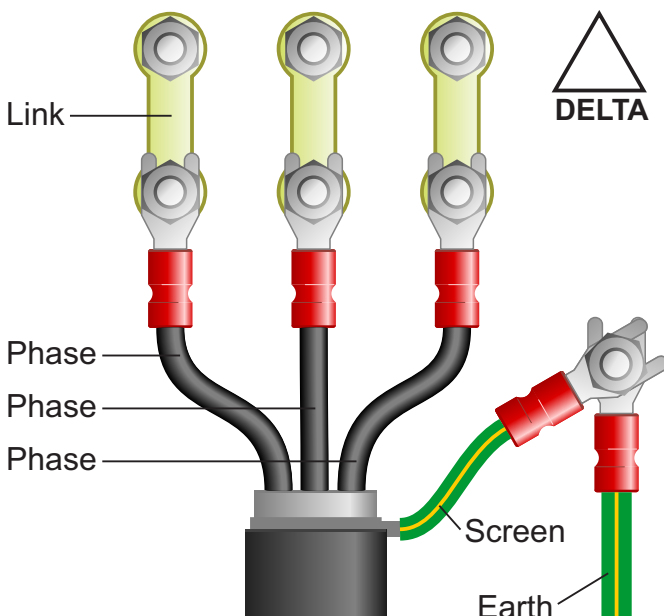
3.1 Motor connected in STAR (or Wye):

For safety purposes, Star (shown opposite) is the default configuration for small motors (usually to 3kW) and is sometimes known as “two at one side”.

Only two links are required for Star. Double-up the links if changing from Delta to allow the motor to be changed back in future.

The order of the three phases determines the direction the motor turns.

Note that the manufacturer recommends that the cable screen is earthed at both ends and the motor and Inverter are earthed separately.



3.2 Motor connected in DELTA:

The link configuration is shown in the illustration opposite and is sometimes referred to as “three-a-breast”.

The order of the three phases determines the direction the motor turns.

Note that the manufacturer recommends that the cable screen is earthed at both ends and the motor and Inverter are earthed separately.

4. Parameters - overview

The Inverter contains a number of settings which can be changed to tailor it for use in a wide range of applications. These settings are known as parameters.

Parameters are typically referred to by code or number (eg. C1.07 = Rated Motor Current) with a description available in the manual.

The parameters contain critical information essential to the correct operation of the Inverter. Therefore, they should at least be checked by the user before the Inverter is operated for the first time.

The parameters listed in section 5 are intended to provide a starting point to allow for basic operation of the EFC 3610 Inverter.

5. Parameters to set before use

Set the following parameters to allow the EFC 3610 to control a motor with Run, Stop and Speed Control from the keypad.

If any of the parameters have been changed previously, follow the procedure in section 13 to reset the Inverter to Factory Defaults.

See section 6 to learn how to set a parameter value.

5.1 Parameters to check and values to set

Parameter	Description	How to set
b0.00	Access to additional parameters	Default is 0 for Basic Parameters. Set to 2 to enable Advanced Parameters.
E0.08	Maximum output frequency (Hz)	Maximum frequency of the <i>Inverter</i> . Default is 50.00 ; suitable for most applications.
E0.09	Output frequency high limit (Hz)	Maximum frequency of <i>speed reference</i> (eg. <i>keypad dial</i>). Default is 50.00 ; suitable for most applications. Cannot be higher than E0.08.
E0.10	Output frequency low limit (Hz)	Default is 0.00; set to 05.00 for most applications .
E0.26	Acceleration time (s)	Default is rating dependent; set to 5 for most applications.
E0.27	Deceleration time (s)	Default is rating dependent; set to 5 for most applications.
C2.00	V/F curve mode	Default is 0 (linear); set to 1 if the motor is driving a Fan or Centrifugal Pump.
C1.05	Rated motor power (kW)	Set to match motor nameplate - eg. 0.8 (for 0.75kW)
C1.06	Rated motor voltage (V)	Set to match motor nameplate - eg. 230
C1.07	Rated motor current (A)	Set to match motor nameplate - eg. 3.34
C1.08	Rated motor frequency (Hz)	Default is 50.00. Change to 60.00 for 60Hz motor only - otherwise set at 50.00
C1.09	Rated motor speed (rpm)	Set to match motor nameplate - eg. 1380
C0.05	Carrier frequency (Hz)	Default is rating dependent and will suit most applications. Increasing Carrier frequency may reduce motor noise.

6. How to set a Parameter value



6.1 Find Parameter Groups.

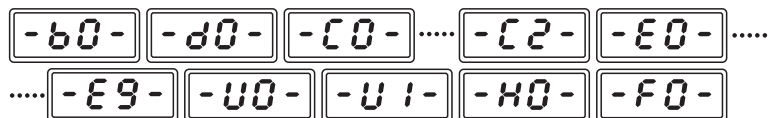
This example demonstrates the steps required to set parameter E0.26 which is Acceleration time in seconds.

Press the “Func” key repeatedly until the display shows “-b0-” (shown in the illustration opposite). Use the up and down keys to cycle through the parameter groups.



6.2 Find a Parameter Group eg. E0

There are a total of 17 parameter groups when “Advanced Parameters” are enabled:-



Some parameter groups may be hidden when “Advanced Parameters” are not enabled. Press “Set” to select “-E0-”.



6.3 Find a Parameter eg. E0.26

The display will show “E0.00” to indicate parameter 00 within group E0.

Use the up and down keys to navigate to parameter E0.26. Press the “Set” key to modify the parameter value.

Note that in some cases, the value of a parameter can be restricted by the value of another parameter.



6.4 Change a Parameter value.

Use the up and down keys to increase or decrease the value. Press and hold the up or down key to change the value more quickly.

Press the “Set” key to save changes. The display will show the next available parameter. Press “Func” twice to exit.

Note: If the keypad is not used for more than 30 seconds the display will return to the set point value.

7. How to operate the Inverter from the keypad



7.1 Use the dial to set the required speed.

When the EFC3610 is powered up for the first time without any changes to the parameters it will operate from the keypad. The display will change to show the speed reference in Hz. This is set (as default) by the pot on the keypad.

The minimum speed reference is defined by parameter E0.10 and the maximum reference by E0.09.



7.2 Press the green “Run” button to start the motor.

Press the green button firmly to start the motor. The motor will accelerate to the speed set in 7.1 (above) in the time defined by parameter E0.26. The display will increase from 0.00 to the speed reference.

Motor speed can be changed whilst the motor is running by rotating the dial clockwise (faster) or anti-clockwise (slower). When running, the “Run” lamp will be illuminated.



7.3 Press the red “Stop” button to stop the motor.

The red button will stop the motor. The display will decrease from the current speed to 0.00. When stopped, the “Run” lamp will go out and the display will return to the speed reference value.

The time taken (in seconds) to stop the motor is determined by parameter E0.27.

8. How to connect and configure a Potentiometer for remote speed control

If the integrated dial on the keypad is unsuitable for the application, a remote Potentiometer can be used instead.

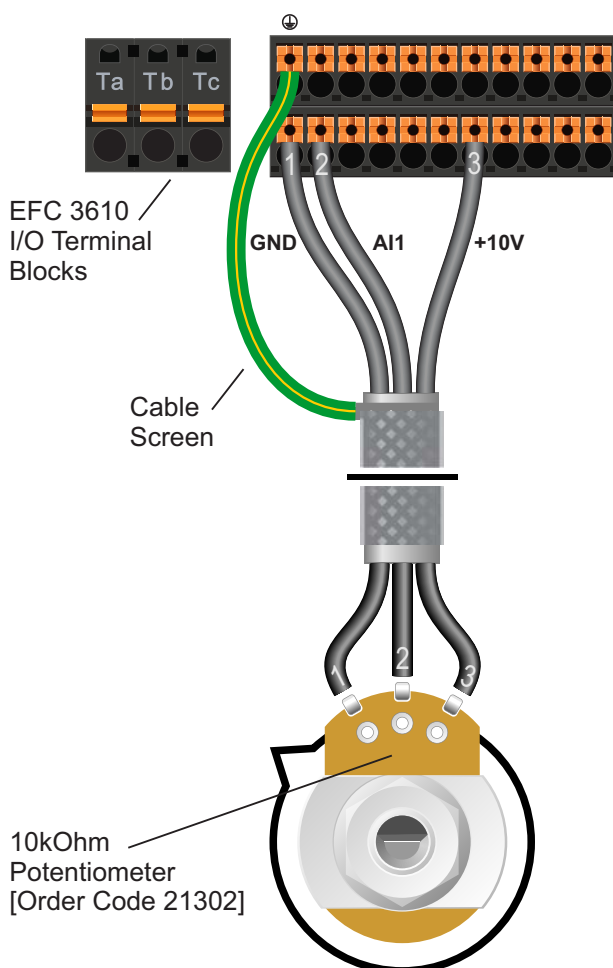
This provides the benefit of allowing motor speed to be controlled from a more convenient location such as a cabinet door (if the EFC 3610 is cabinet-mounted) or on the machine itself.

A Potentiometer of **10kOhm** rating should be used.

The number of turns depends on the application but both single turn and ten turn Potentiometers are available from The Inverter Drive Supermarket at InverterDrive.com.

8.1 Relevant parameters for remote Potentiometer speed control

Parameter	Description	How to set
b0.00	Access to additional parameters	Default is 0 for Basic Parameters. Set to 2 to enable Advanced Parameters.
E0.00	Frequency Setting Source	Default is 0 for keypad dial; set to 2 for terminal (remote) control via AI1.
E1.35	AI1 input mode	Default is 2 for 0-10V; default is required for this example.



8.2 Connecting the Potentiometer

A wiring diagram is shown in the illustration opposite. The most important connection at the Potentiometer end is the centre terminal or “wiper”.

The wiper will output a variable voltage between 0 and 10 volts and should be connected to the AI1 terminal at the Inverter end. It is this voltage which provides the speed signal with 0V being slowest and 10V fastest.

The default output frequency at 0V is 0Hz and at 10V is 50Hz.

If the rotation of the Potentiometer is the opposite to that required (ie. turn anti-clockwise to increase speed instead of clockwise) reverse connections +10V and GND.

Use shielded cable between Potentiometer and Inverter and ensure that the cable screen is connected to the Inverter earth terminal only.

9. How to connect and configure a Run Forward or Run Reverse switch

The parameters described in Section 5 enable Run/Stop operation via the red and green buttons on the Inverter.

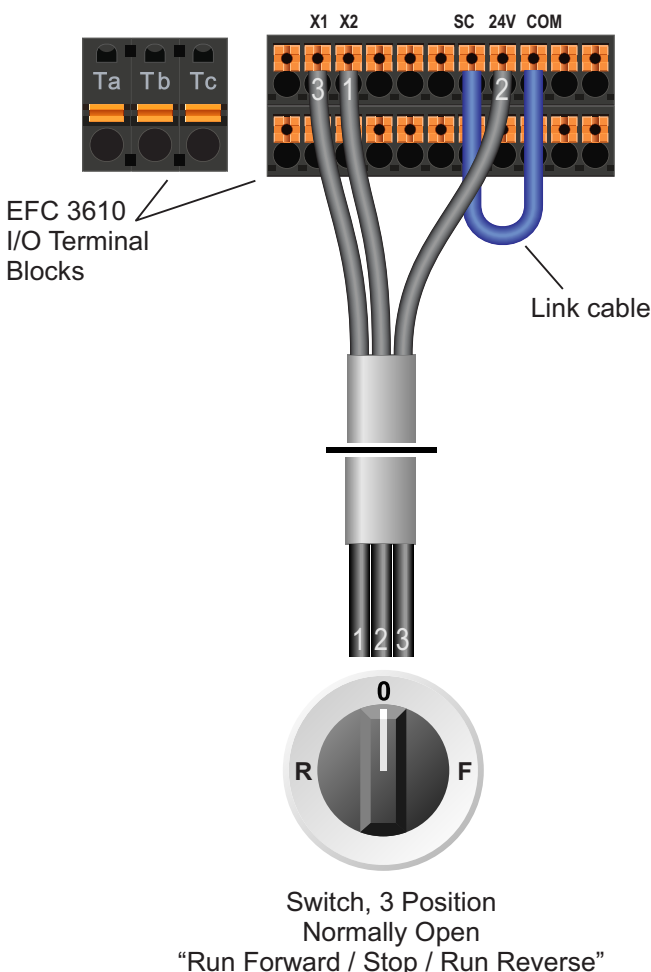
If this is unsuitable for the application, a remote switch can be used instead.

This section explains how to enable 2-wire control with Run Forward / Stop / Run Reverse commands via a single selector switch.

Note that once this procedure is complete, the Run/Stop buttons on the Inverter can no longer be used.

9.1 Relevant parameters for remote Run/Stop

Parameter	Description	How to set
b0.00	Access to additional parameters	Default is 0 for Basic Parameters. Set to 2 to enable Advanced Parameters.
E0.01	First run command source	Default is 0 for keypad. Set to 1 for terminal control on the Inverter. When set to 1, the FWD lamp will go out.
E1.00	X1 input	Default is 35 for Forward Run; default is required for this example.
E1.01	X2 input	Default is 36 for Reverse Run; default is required for this example.
E1.15	2-wire / 3-wire control mode	Default is 0 for 2-wire forward / stop, reverse / stop; default is required for this example.



9.2 Connecting the Switch

A wiring diagram is shown in the illustration opposite. The SC and COM terminals must be linked.

A suitable 3 position NO (Normally Open) switch should be installed between terminals 24V, X1 and X2. The centre position should remain open circuit.

When run forward is selected (24V to X1) the motor will accelerate from 0 to the currently-selected speed set point. Run and Fwd lamps will illuminate. When run reverse is selected (24V to X2) the behavior is the same but the motor will run in reverse and the Rev lamp will illuminate instead of Fwd.

When stop is selected (open circuit) the motor will decelerate to zero and the Run and Fwd lamps will go out. The display will revert to the current setpoint.

10. How to connect and configure a Run/Stop switch with Forward/Reverse selection

The parameters described in Section 5 enable Run/Stop operation via the red and green buttons on the Inverter.

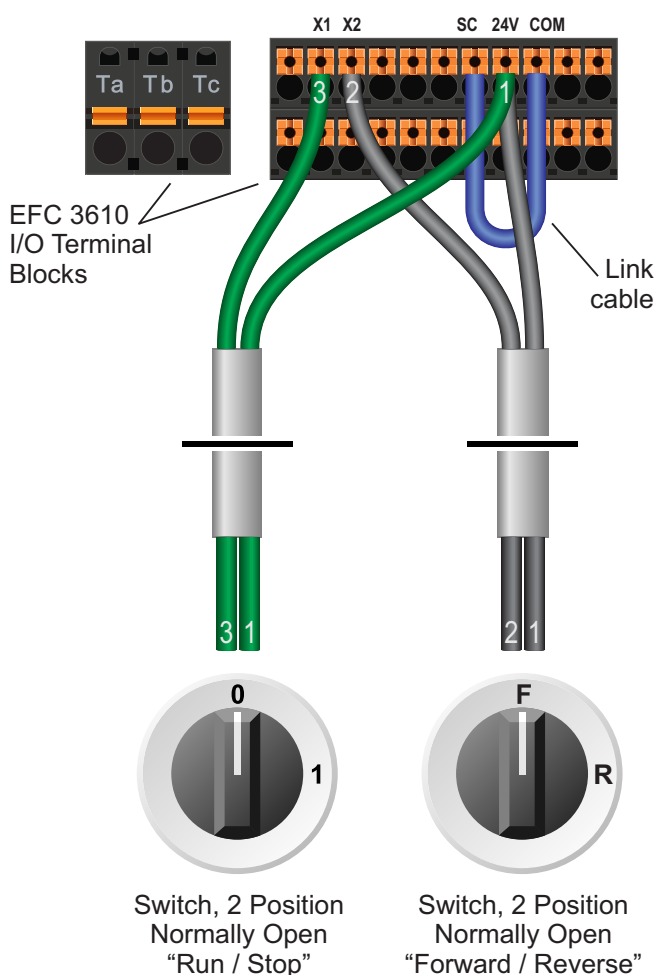
If this is unsuitable for the application, remote switches can be used instead.

This section explains how to enable 2-wire control with Run/Stop and Forward/Reverse commands via separate selector switches.

Note that once this procedure is complete, the Run/Stop buttons on the Inverter can no longer be used.

10.1 Relevant parameters for remote Run/Stop

Parameter	Description	How to set
b0.00	Access to additional parameters	Default is 0 for Basic Parameters. Set to 2 to enable Advanced Parameters.
E0.01	First run command source	Default is 0 for keypad. Set to 1 for terminal control on the Inverter
E1.00	X1 input	Default is 35 for Forward Run; default is required for this example.
E1.01	X2 input	Default is 36 for Reverse Run; default is required for this example.
E1.15	2-wire / 3-wire control mode	Default is 0. Set to 1 for 2-wire forward / reverse, run / stop.



10.2 Connecting the Switches

A wiring diagram is shown in the illustration opposite. The SC and COM terminals must be linked.

Two suitable 2 position NO (Normally Open) switches should be installed: One between terminals 24V and X1 (Run/Stop) and the other between terminals 24V and X2 (Forward/Reverse).

When run is selected (24V to X1) and forward is selected (X1 open circuit) the display will increase from 0 to the speed reference as the motor accelerates and the run lamp will illuminate.

When stop is selected (X1 open circuit) the display will decrease to zero as the motor decelerates. Once at zero, the run lamp will go out. The display will then revert to the speed reference.

Note: the Forward/Reverse switch only selects the direction of rotation - it will not start or stop the motor.

If the application only requires the motor to turn in one direction, the Forward/Reverse switch can be omitted.

11. How to configure “3-Wire” control with Run/Stop pushbuttons and Forward/Reverse selection

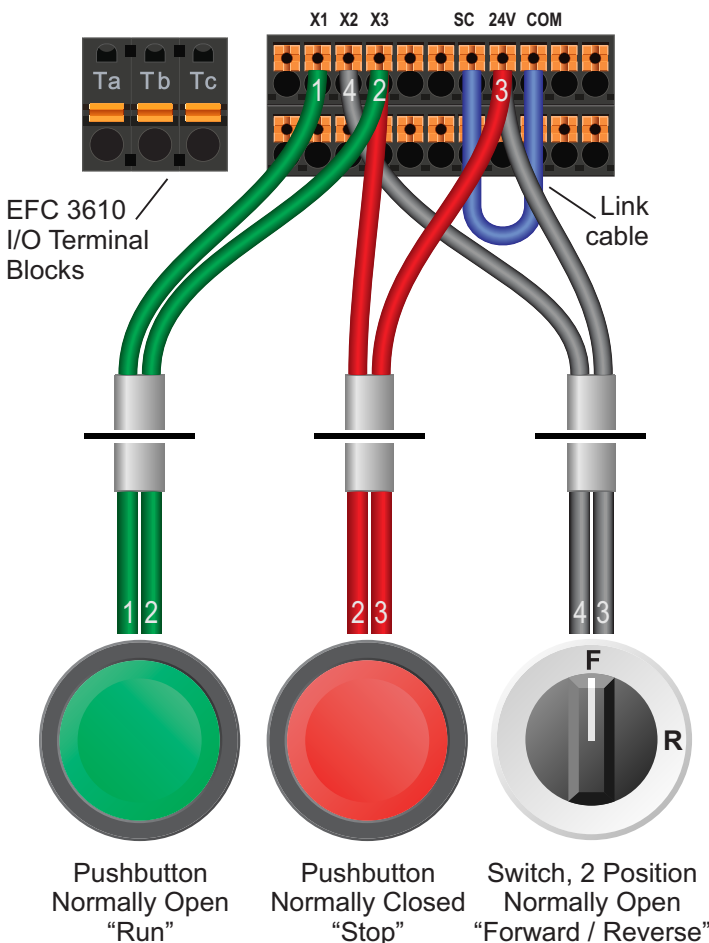
The parameters described in Section 5 enable Run/Stop operation via the red and green buttons on the Inverter.

If this is unsuitable for the application, remote switches can be used instead.

This section explains how to enable 3-wire control with Run and Stop commands via separate pushbuttons and Forward/Reverse selection via a selector switch. Note that once this procedure is complete, the Run/Stop buttons on the Inverter can no longer be used.

11.1 Relevant parameters for remote 3-wire control

Parameter	Description	How to set
b0.00	Access to additional parameters	Default is 0 for Basic Parameters. Set to 2 to enable Advanced Parameters.
E0.01	First run command source	Default is 0 for keypad. Set to 1 for terminal control on the Inverter
E1.00	X1 input	Default is 35 for Forward Run; default is required for this example.
E1.01	X2 input	Default is 36 for Reverse Run; default is required for this example.
E1.02	X3 input	Default is 0; set to 25 to select 3 wire control with reverse select
E1.15	2-wire / 3-wire control mode	Default is 0. Set to 2 for 3-wire control mode. If the Inverter displays a PrSE error (conflict) ensure that parameters E1.00 to E1.02 (see above) have been set first.



11.2 Connecting the Switches

A wiring diagram is shown in the illustration opposite. The SC and COM terminals must be linked.


For “Run” and “Stop”, two suitable pushbuttons should be installed. The “Run” pushbutton should include a Normally Open contact between terminals X1 and X3 and the “Stop” a Normally Closed contact between terminals 24V and X3.

For “Forward/Reverse” a suitable 2 position NO (Normally Open) switch should be installed between terminals 24V and X2.

A momentary connection between X1 and X3 will start the motor. It will continue to run until the connection between 24V and X3 is broken.

Note that the Forward/Reverse switch only selects the direction of rotation - it will not start or stop the motor. If the application only requires the motor to turn in one direction, the Forward/Reverse switch can be omitted.

12. Brake Resistor Connection



Before commencing, confirm that the Inverter and all cables are completely isolated from the power supply, have been isolated for at least 5 minutes and that the motor is not turning.

High inertia loads can cause overvoltage trips during deceleration and lead to “OE-3” error messages. In many cases, the solution is to increase the deceleration time to compensate.

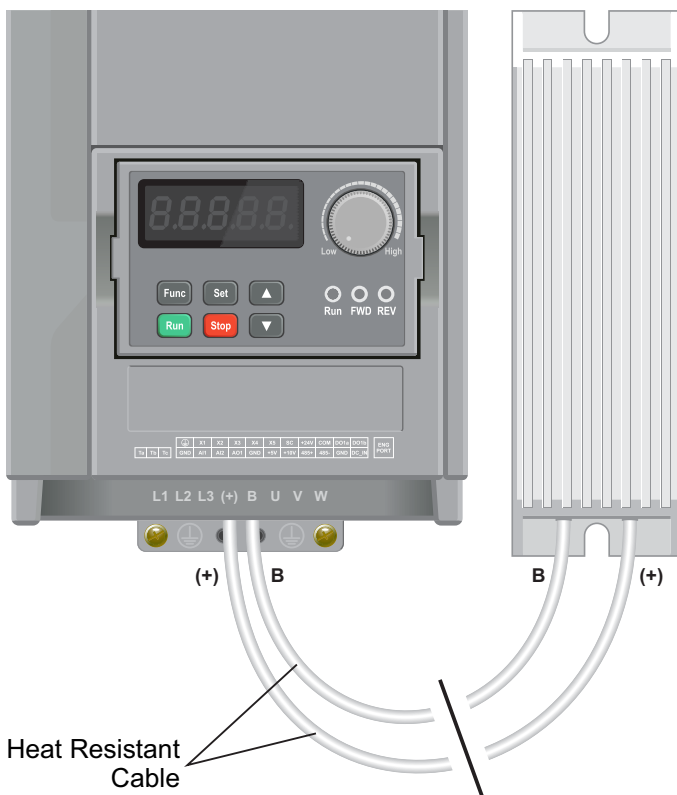
However, if the application requires it, dynamic braking can be enabled to maintain or reduce deceleration times by absorbing the energy generated by such loads.

A Brake Resistor is first installed to absorb braking energy and dissipate it as heat. The resistor must be correctly sized for both the Inverter and application.

Then, the “brake chopper” within the Inverter is enabled. This detects excessive braking energy and redirects it to the resistor when required.

12.1 Relevant parameters for Dynamic Braking

Parameter	Description	How to set
b0.00	Access to additional parameters	Default is 0 for Basic Parameters. Set to 2 to enable Advanced Parameters.
C0.25	Overvoltage prevention mode	Default is 3 for Stall overvoltage protection enabled, resistor braking enabled; default is required for this example.



12.2 Connecting the Resistor

A wiring diagram is shown in the illustration opposite. Connect the brake resistor to the B and (+) Terminals on the Inverter. The order of the connections is unimportant.

The braking resistor may get hot during operation. Ensure that it is mounted in a suitable position at least 10cm away from other items.

It is important that a resistor of the correct rating is used. Consult the manufacturer’s manual or product listing on InverterDrive.com for further information.

13. How to reset the Inverter to Factory Defaults



13.1 Select the b0 Parameter Group

With the motor stopped, press the “Func” button repeatedly until the display shows “-b0-” (do not press and hold the “Func” button).



13.2 Select Parameter b0.10.

Press the “Set” button to select the b0 Parameter group then use the up button to locate parameter b0.10.



13.3 Change value of b0.10 from 0 to 1.

Press the “Set” button to edit the value of b0.10 and use the up button to change this from 0 to 1.

Press the “Set” button again to save the changes.



13.4 Finished

The display will show the next parameter for editing (b0.11).

Press the “Function” button twice to exit from the parameter menu.

Optional: repeat the process and change b0.10 from 0 to 2 to clear recent fault messages if required.